

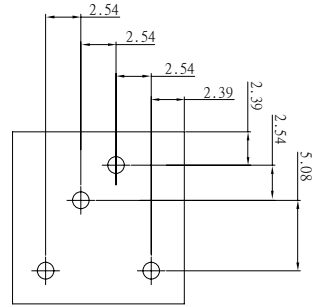
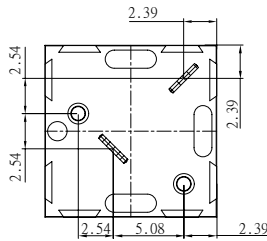
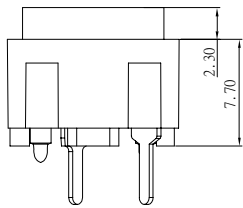
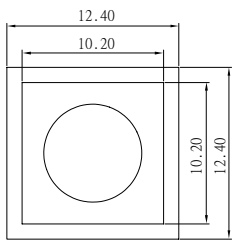
803



SPECIFICATIONS

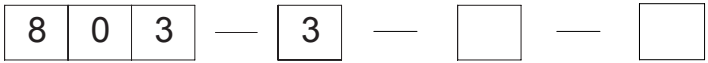
INSULATION RESISTANCE: 100MΩ min
 CONTACT RESISTANCE: 150mΩ max
 DIELECTRIC STRENGTH: 1000VAC
 ELECTRICAL LIFE: 100,000 cycles
 TOTAL TRAVEL: 0.45 ± 0.15mm
 OPERATING TEMPERATURE: -25°C to +65°C

DIMENSION



F
2

HOW TO ORDER



SWITCH

CAP COLOR

LED

RoHS code

- 1 = WHITE
- 2 = BLACK
- 3 = RED
- 4 = ORANGE
- 5 = YELLOW
- 6 = GREEN
- 7 = BLUE
- 9 = GRAY

- (None)
- L = LED

- = none
- H = RoHS Compliant