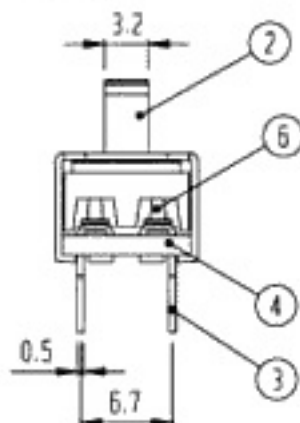


RoHS Compliance



5	SPRING PLATE	P B S	3		6	CONTACT	Cu	2	Ag PLATED
3	TERMINAL	Cu	10	Ag PLATED	4	TERMINAL BASE	PHENOL RESIN	1	NATURAL
1	FRAME	SPCC	1	Ni PLATED	2	KNOB	P C	1	A 3-13
NO.	PART	MATERIAL	QTY	REMARKS	NO.	PART	MATERIAL	QTY	REMARKS

ISSUED

SPECIFICATION

TITLE: AC POWER SWITCH (2P4T)

RATING: 1.5A 250V AC/3A 125V AC

CONTACT RESISTANCE: 30mΩ max.

INSULATION RESISTANCE: 500MΩ AT 500V DC

WITHSTAND VOLTAGE: AC 1000V for 1 minute

OPERATION FORCE: REFER ATTACH SPECIFICATION

SWITCHING LIFE: 10K cycles min.

MODEL NO: ACS-24H01-C-A( )

TOLERANCE UNIT: MM

UP TO 1.0:±0.1 SCALE: 2:1

1.0 TO 10.0:±0.2 VERSION: 02

OVER 10.0:±0.3 DRWG NO:

DWN.

CHK'D.

APPD.

