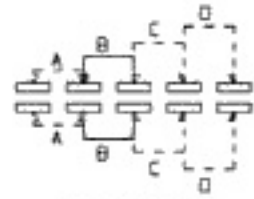
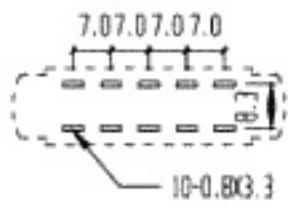
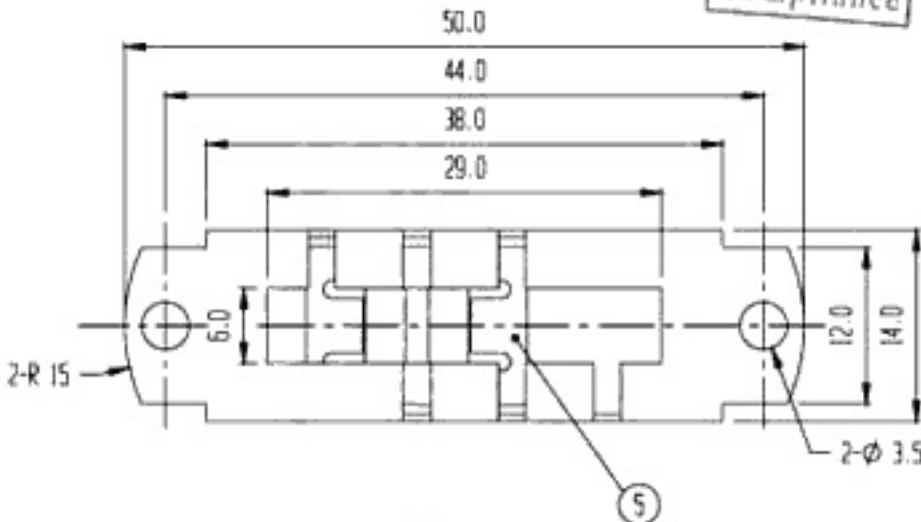


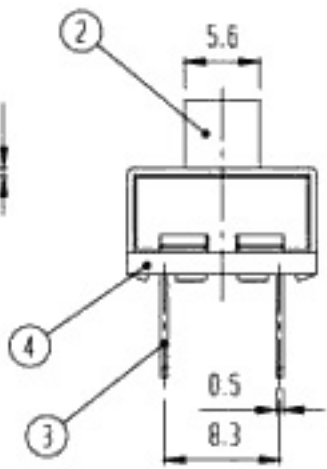
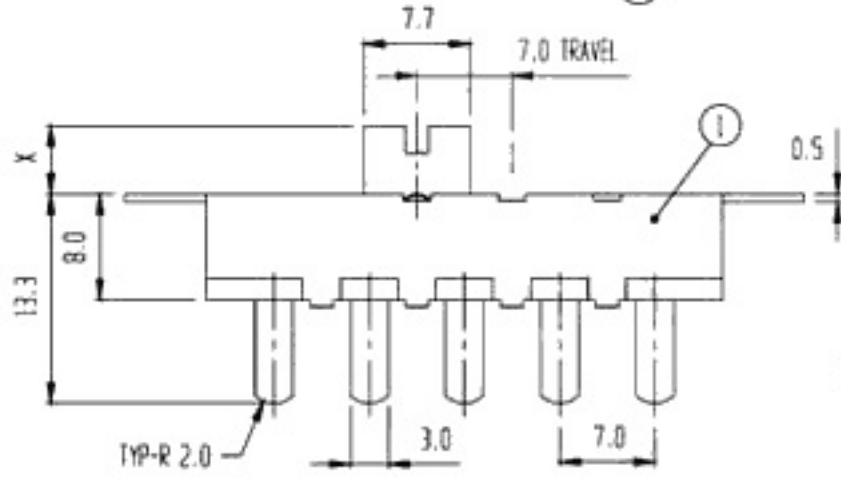
RoHS Compliance



SCHEMATIC



P.C.B. LAYOUT



5	SPRING PLATE	P B S	3		6	CONTACT	Cu	2	Ag PLATED
3	TERMINAL	Cu	10	Ag PLATED	4	TERMINAL BASE	PHENOL RESIN	1	NATURAL
1	FRAME	SPCC	1	PLATED CHROME	2	KNOB	P C	1	B 0-15
NO.	PART	MATERIAL	QTY	REMARKS	NO.	PART	MATERIAL	QTY	REMARKS

ISSUED

SPECIFICATION

TITLE: AC POWER SWITCH (2P4T)



RATING: 6.5A 250V AC/13A 125V AC
 CONTACT RESISTANCE: 30mΩ max.
 INSULATION RESISTANCE: 500MΩ AT 500V DC
 WITHSTAND VOLTAGE: AC 1000V for 1 minute
 OPERATION FORCE: REFER ATTACH SPECIFICATION
 SWITCHING LIFE: 10K cycles min.

MODEL NO: ACS-24N03-F-B()

TOLERANCE	UNIT: MM	DWN.	
UP TO 1.0:±0.1	SCALE: 2:1	CHK'D.	
1.0 TO 10.0:±0.2	VERSION: 02	APPD.	
OVER 10.0:±0.3	DRWG NO:		