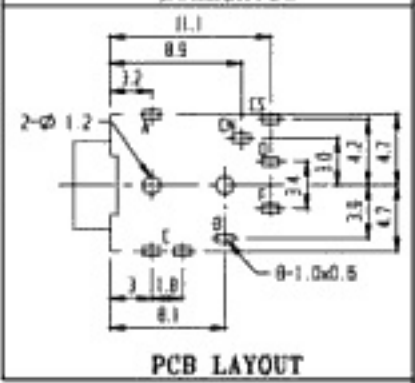
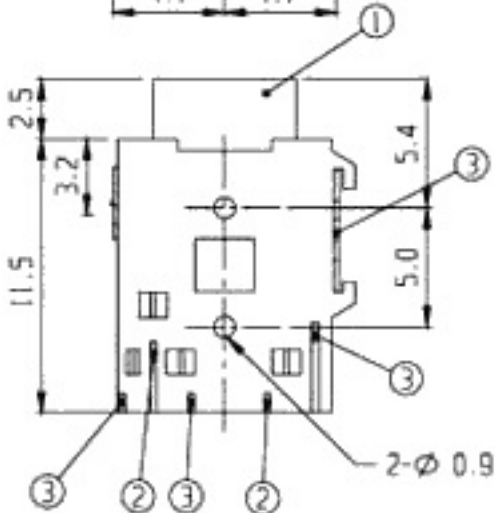


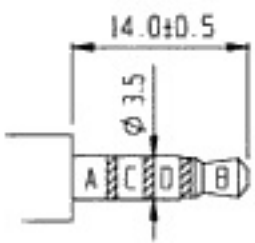
SCHEMATIC



PCB LAYOUT



RoHS Compliance



MATING PLUG

4	CONTACT	P B S	1	Ag PLATED THICKNESS > 0.8 - 1.5um
3	CONTACT	P B S	4	Ag PLATED THICKNESS > 0.8 - 1.5um
2	TERMINAL	P B S	2	Ag PLATED THICKNESS > 0.8 - 1.5um
1	FRAME	P A	1	
NO	PART	MATERIAL	QTY	REMARKS

ISSUED	SPECIFICATION	TITLE: AV SOLE-CORE JACK		
	RATING: DC 30V 0.5A	MODEL NO:	AV-35017	
	CONTACT RESISTANCE: 30mΩ max.	TOLERANCE	UNIT: MM	DWN. <i>hoo</i>
	INSULATION RESISTANCE: 100MΩ at 500V DC	UP TO 1.0:±0.1	SCALE: 3.5:1	CHK'D. <i>hoo</i>
	WITHSTAND VOLTAGE: AC 500V for 1 minute	1.0 TO 10.0:±0.2	VERSION: 1	APPD. <i>hoo</i>
	OPERATION FORCE: REFER ATTACH SPECIFICATION	OVER 10.0:±0.3	DRWG NO:	
SWITCHING LIFE: 10X cycles min.				