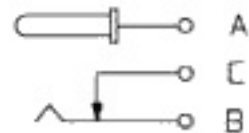
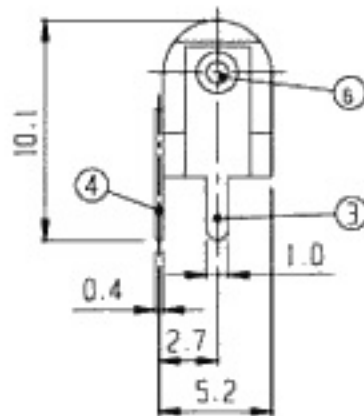
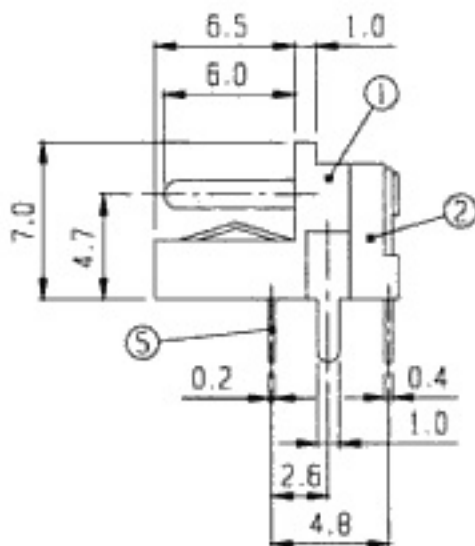
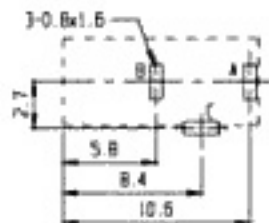


CENTER PIN DIAMETER  
 $\phi 1.0mm/\phi 1.3mm$



SCHMATIC



PCB LAYOUT

RoHS  
 Compliance

NO.	PART	MATERIAL	QTY	REMARKS
6	CENTER PIN	BRASS	1	Ni PLATED
5	SPRING PLATE	S U S	1	Ag PLATED
4	CONTACT PLATE	BRASS	1	Ag PLATED
3	FIXED PLATE	BRASS	1	Ag PLATED
2	TERMINAL BASE	P O M	1	
1	FRAME	P O M	1	

ISSUED

SPECIFICATION

TITLE: DC POWER JACK

RATING: DC 30V 0.3A

CONTACT RESISTANCE: 50mΩ max.

INSULATION RESISTANCE: 100MΩ AT 500V DC

WITHSTAND VOLTAGE: AC 500V for 1 minute

OPERATION FORCE: REFER ATTACH SPECIFICATION

SWITCHING LIFE: 5k cycles (15-18 cycles/min unloading)

MODEL NO: DC-005

TOLERANCE

UP TO 1.0:±0.1

1.0 TO 10.0:±0.2

OVER 10.0:±0.3

UNIT: MM

SCALE: 3:1

VERSION: 3

DRWG NO:

DWN.

CHK'D.

APPD.

