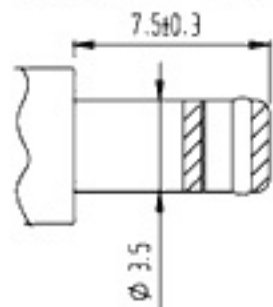


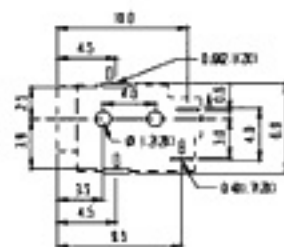
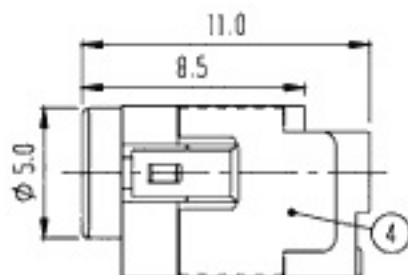
CENTER PIN DIAMETER: $\phi 1.05\text{mm}$



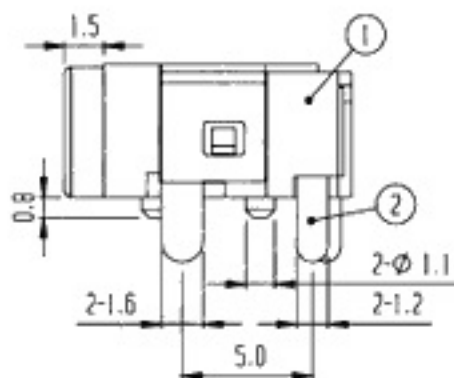
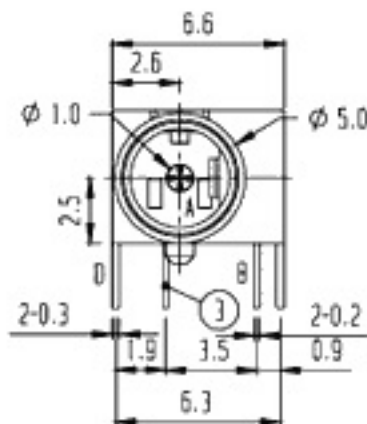
RoHS Compliance



SCHEMATIC



P.C.B. LAYOUT



| NO. | PART | MATERIAL | QTY | REMARKS | NO. | PART | MATERIAL | QTY | REMARKS |
|-----|----------|----------|-----|-----------|-----|----------|----------|-----|-----------|
| 3 | TERMINAL | BRASS | 1 | Au PLATED | 4 | TERMINAL | P B S | 1 | Au PLATED |
| 1 | FRAME | NYLON 6T | 1 | | 2 | TERMINAL | P B S | 1 | Au PLATED |

ISSUED

SPECIFICATION

TITLE: DC POWER JACK

| | |
|---|------------------|
| RATING: DC 30V 0.3A | MODEL NO: DC-010 |
| CONTACT RESISTANCE: 50mΩ max. | |
| INSULATION RESISTANCE: 100MΩ AT 500V DC | TOLERANCE |
| WITHSTAND VOLTAGE: AC 250V for 1 minute | UNIT: MM |
| OPERATION FORCE: REFER ATTACH SPECIFICATION | DWN. |
| SWITCHING LIFE: 5,000 cycles min. | CHK'D. |
| | APPD. |

| | | | |
|------------------|------------|--------|--------------------|
| UP TO 1.0:±0.1 | SCALE: 4:1 | DWN. | <i>hs</i> |
| 1.0 TO 10.0:±0.2 | VERSION: 1 | CHK'D. | <i>ms</i> |
| OVER 10.0:±0.3 | DRWG NO: | APPD. | <i>[Signature]</i> |

