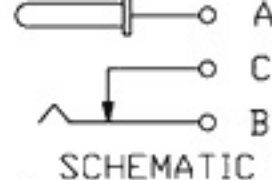
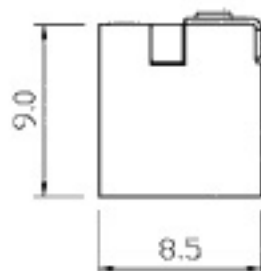


MATING PLUG

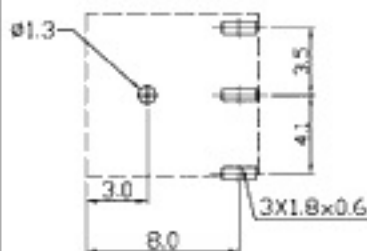
RoHS
Compliance



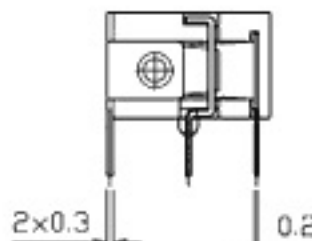
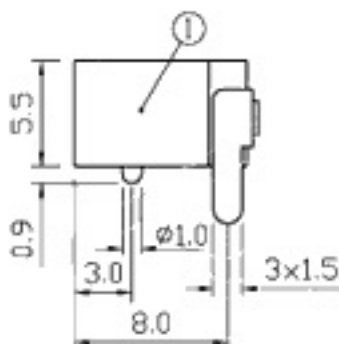
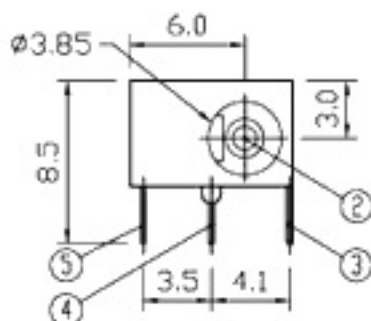
SCHEMATIC



CENTER PIN DIAMETER
1.0mm/1.3mm



P.C.B LAYOUT



5	SPRING PLATE	S U S	1	Ag PLATED
4	CONTACT	BRASS	1	Ag PLATED
3	CONTACT	BRASS	1	Ag PLATED
2	CENTER PIN	COPPER ALLOY	1	NI PLATED
1	FRAME	P B T	1	

NO	PART	MATERIAL	QTY	REMARKS
----	------	----------	-----	---------

ISSUED

SPECIFICATION

TITLE: DC POWER JACK



RATING	DC 30V 0.3A
CONTACT RESISTANCE	50mΩ MAX
INSULATION RESISTANCE	100MΩ AT 500V DC
VITHSTAND VOLTAGE	AC 500V for 1 minute
OPERATION FORCE	REFER ATTACH SPECIFICATION
SWITCHING LIFE	5k cycles min

MODEL NO: DC-016

UNIT:	MM	DWN	hwo
SCALE:	3:1	CHK'D	mm
TOLERANCE:	±0.2	APP'D	