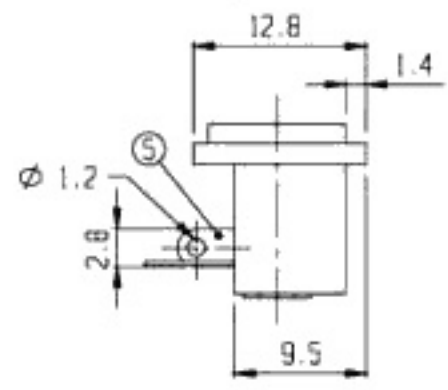
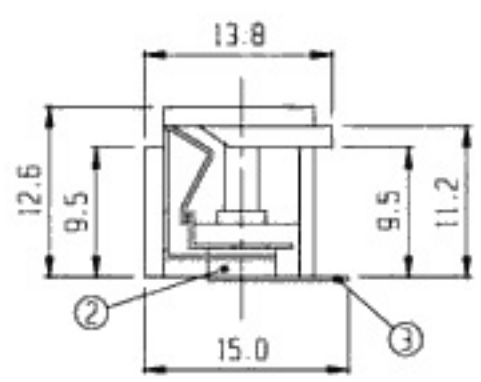


CENTER PIN DIAMETER
 $\varnothing 2.0\text{MM}/\varnothing 2.5\text{MM}$

RoHS
 Compliance



NO.	PART	MATERIAL	QTY	REMARKS
6	CENTER PIN	BRASS	1	Ni PLATED
5	MOVABLE TERMINAL	S U S	1	Ag PLATED
4	PIN TERMINAL	BRASS	1	Ag PLATED
3	FIXED TERMINAL	BRASS	1	Ag PLATED
2	TERMINAL BASE	PHENOL RESIN	2	NATURAL
1	FRAME	A B S	1	

ISSUED	SPECIFICATION	TITLE: DC POWER JACK	
	RATING: DC 30V 0.3A	MODEL NO: DC-211	
	CONTACT RESISTANCE: 50mΩ max.		
	INSULATION RESISTANCE: 100MΩ AT 500V DC	TOLERANCE	UNIT: MM
	WITHSTAND VOLTAGE: AC 500V for 1 minute	UP TO 1.0:±0.1	SCALE: 2:1
	OPERATION FORCE: REFER ATTACH SPECIFICATION	1.0 TO 10.0:±0.2	VERSION: 2
	SWITCHING LIFE: 5k cycles (15-18 cycles/min unloading)	OVER 10.0:±0.3	DRWG NO:
		DWN. <i>hoo</i>	
		CHK'D. <i>per</i>	
		APPD. <i>[Signature]</i>	