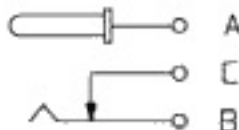
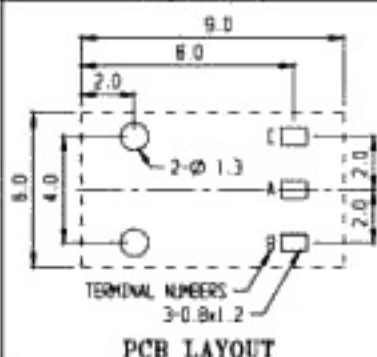
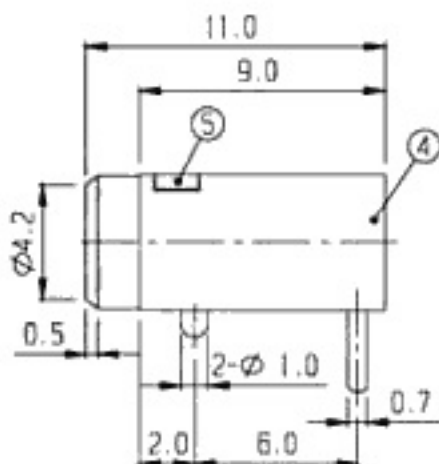
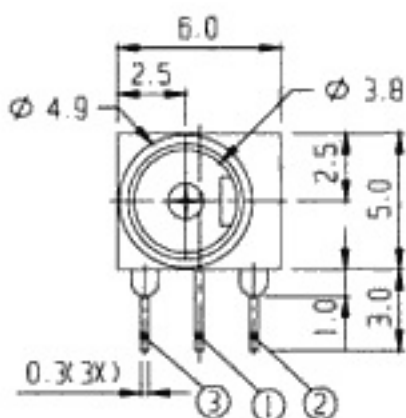


MATING PLUG

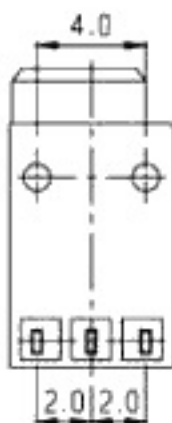
CENTER PIN DIAMETER
 $\phi 1.0\text{mm}$



SCHEMATIC



PCB LAYOUT



RoHS
 Compliance

5	COVER BORED	NYLON43L	1						
3	TERMINAL	BRASS	1	Ag PLATED	4	FRAME	NYLON43L	1	
1	TERMINAL	BRASS	1	Ag PLATED	2	TERMINAL	P B S	1	
NO.	PART	MATERIAL	QTY	REMARKS	NO.	PART	MATERIAL	QTY	REMARKS

ISSUED

SPECIFICATION

TITLE: DC POWER JACK



RATING: DC 30V 0.3A
 CONTACT RESISTANCE: 50mΩ max.
 INSULATION RESISTANCE: 100MΩ AT 500V DC
 WITHSTAND VOLTAGE: AC 500V for 1 minute
 OPERATION FORCE: REFER ATTACH SPECIFICATION
 SWITCHING LIFE: 5k cycles (15-18 cycles/min unloading)

MODEL NO: DC-413(φ 1.0)

TOLERANCE	UNIT: MM	DWN.	<i>hoo</i>
UP TO 1.0:±0.1	SCALE: 4:1	CHK'D.	<i>hoo</i>
1.0 TO 10.0:±0.2	VERSION: 1	APPD.	<i>hoo</i>
OVER 10.0:±0.3	DRWG NO:		