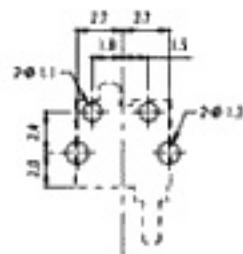
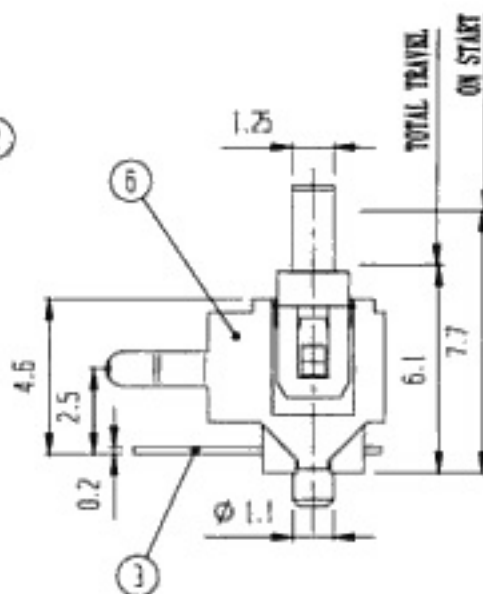
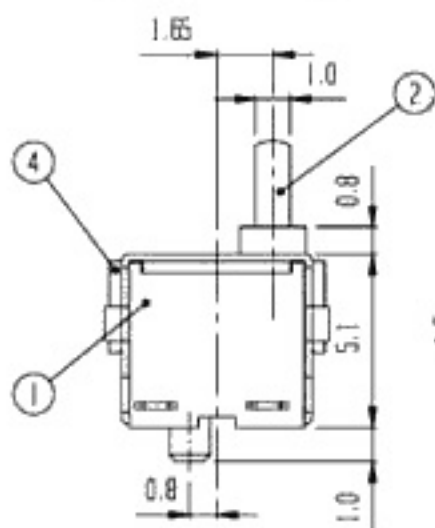


SCHMATIC



P.C.B. LAYOUT

RoHS Compliance



5	SPRING PLATE	CuBe	1	Ag PLATED	6	SHELF	S U S	1	
3	TERMINAL	BRASS	4	Ag PLATED	4	COVER BOARD	P O M	1	
1	FRAME	NYLON	1		2	KNOB	P O M	1	
NO.	PART	MATERIAL	QTY	REMARKS	NO.	PART	MATERIAL	QTY	REMARKS

ISSUED

SPECIFICATION

TITLE: DETECTOR SWITCH

RATING: DC 30V 0.1A

CONTACT RESISTANCE: 100 mΩ max.

INSULATION RESISTANCE: 100MΩ AT 500V DC

WITHSTAND VOLTAGE: AC 250V for 1 minute

OPERATION FORCE: REFER ATTACH SPECIFICATION

SWITCHING LIFE: 50K cycles min.

MODEL NO: DS-20-03R

TOLERANCE UNIT: MM

UP TO 1.0:±0.1 SCALE: 5:1

1.0 TO 10.0:±0.2 VERSION: 03

OVER 10.0:±0.3 DRWG NO: APPD.



DWN. *hoo*
 CHK'D. *hm*
 APPD. *[Signature]*