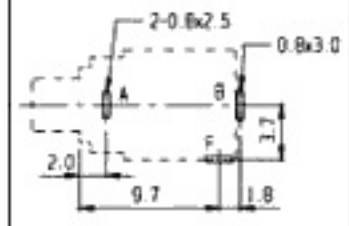
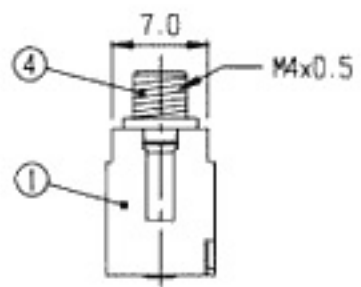
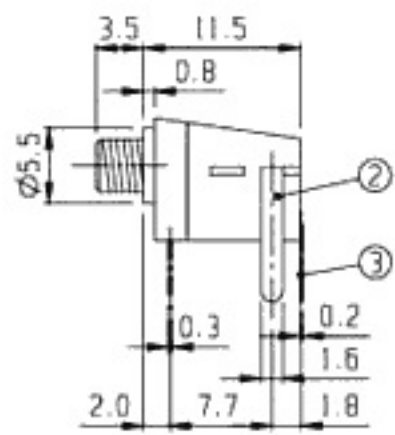
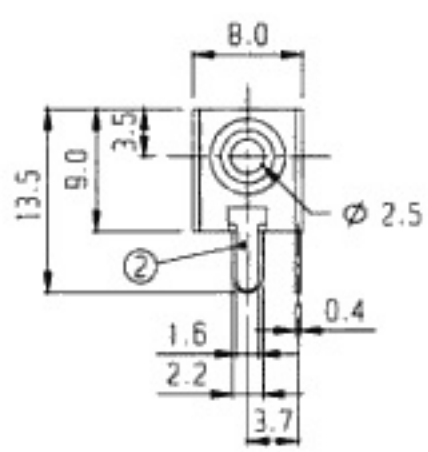


SCHEMATIC



PCB LAYOUT



RoHS Compliance

NO.	PART	MATERIAL	QTY	REMARKS
4	SHEATH	BRASS	1	Ni PLATED
3	CONTACT	S U S	1	Ag PLATED
2	TERMINAL	BRASS	2	Ag PLATED
1	FRAME	A B S	1	

ISSUED SPECIFICATION TITLE: MONO TYPE EARPHONE JACK



RATING: DC 30V 0.3A	MODEL NO: EJ-2502	TOLERANCE	UNIT: MM	DWN.	<i>hoo</i>
CONTACT RESISTANCE: 50mΩ max.		UP TO 1.0:±0.1	SCALE: 2:1	CHK'D.	<i>hoo</i>
INSULATION RESISTANCE: 100MΩ AT 500V DC		1.0 TO 10.0:±0.2	VERSION: 2	APPD.	<i>[Signature]</i>
WITHSTAND VOLTAGE: AC 500V for 1 minute		OVER 10.0:±0.3	DRWG NO:		
OPERATION FORCE: REFER ATTACH SPECIFICATION					
SWITCHING LIFE: 5M cycles (15-18 cycles/min unloading)					