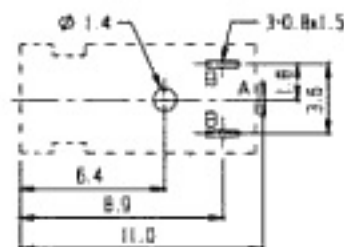
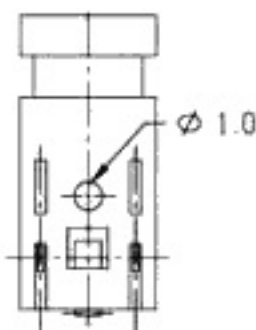
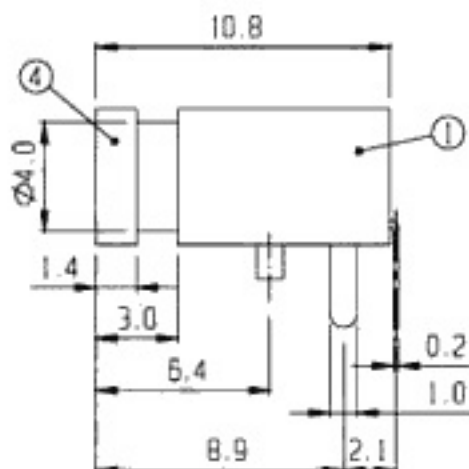
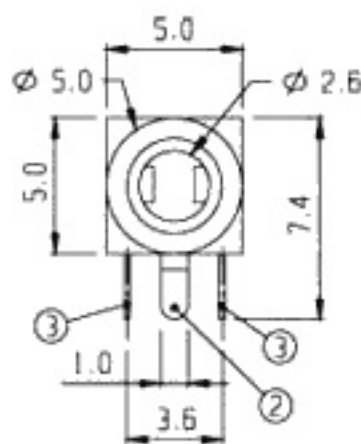


SCHMATIC



PCB LAYOUT



RoHS
Compliance

NO.	PART	MATERIAL	QTY	REMARKS
4	SHEATH	BRASS	1	Ni PLATED
3	CONTACT	P B S	2	Ag PLATED
2	TERMINAL	P B S	1	Ag PLATED
1	FRAME	P O M	1	

ISSUED

SPECIFICATION

TITLE: MONO TYPE EARPHONE JACK

RATING: DC 30V 0.3A

CONTACT RESISTANCE: 50mΩ max.

INSULATION RESISTANCE: 100MΩ AT 500V DC

WITHSTAND VOLTAGE: AC 500V for 1 minute

OPERATION FORCE: REFER ATTACH SPECIFICATION

SWITCHING LIFE: 5M cycles (15-18 cycles/min unloading)

MODEL NO: EJ-2510

TOLERANCE	UNIT: MM	DWN.
UP TO 1.0:±0.1	SCALE: 4:1	<i>hoo</i>
1.0 TO 10.0:±0.2	VERSION: 2	CHK'D. <i>mm</i>
OVER 10.0:±0.3	DRWG NO:	APPD. <i>mm</i>

