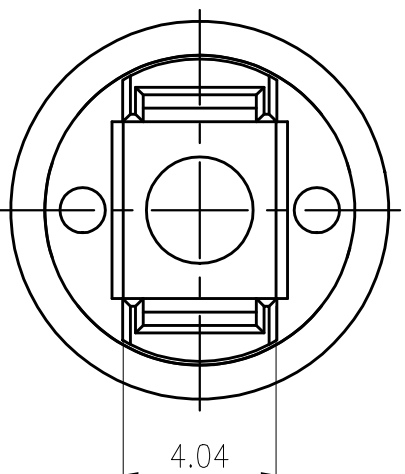
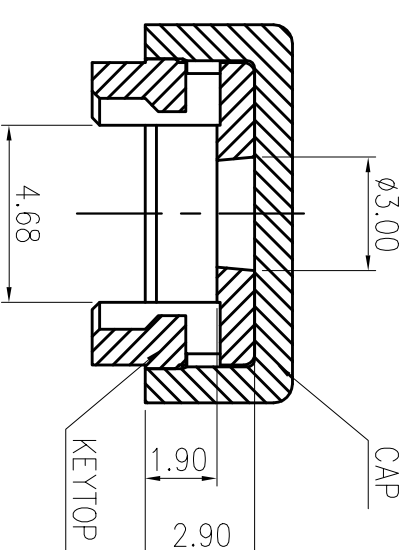
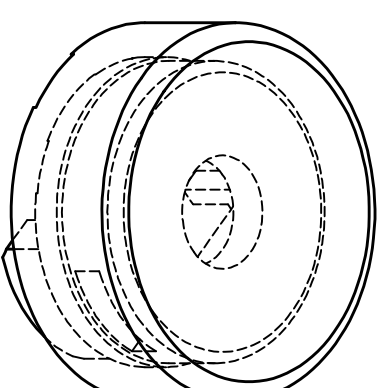
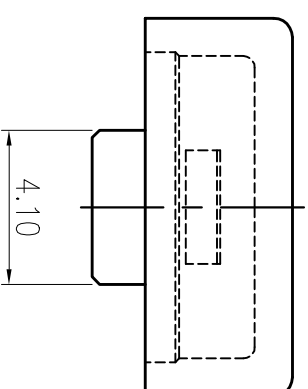
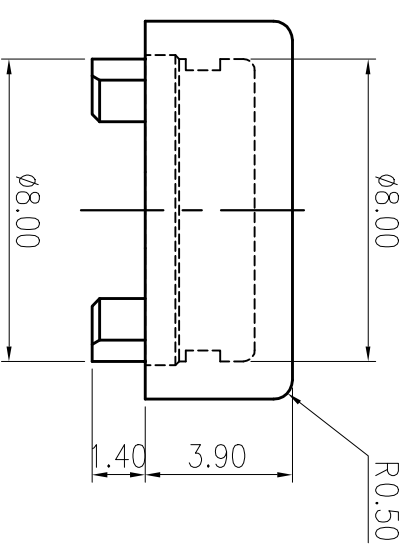
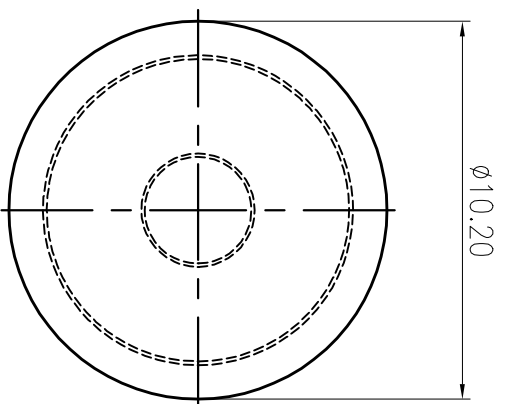


1 2 3 4 5 6 7 8 9 10



PART NO.	COLOR	
	CAP	KEYTOP
KTL-RAY	CLEAR	YELLOW
KTL-RAB	CLEAR	BLUE
KTL-RAR	CLEAR	RED
KTL-RAI	CLEAR	IVOLY
KTL-RAK	CLEAR	BLACK
KTL-RAG	CLEAR	GREEN
KTL-RAS	CLEAR	SALMON

NOTE:  
 1. ALL DIMENSIONS ARE IN MILLIMETERS.  
 BRACKETED DIMENSIONS ARE IN INCHES.  
 2. GENERAL TOLERANCES ±0.3mm

ZONE	REV.	DESCRIPTION	DATE	APPD.
A	A	DWG. REL.		

APPD:	QTY:
CHKD:	SCALE: 5/1
DWG:	REV: A
DESIGN:	UNITS: mm

PART NO:	PART NAME:
KTL-RA□	CAP
MAT L:	
FINISH:	

DWG NO:	PART NAME:
	CAP
	KTL-RA