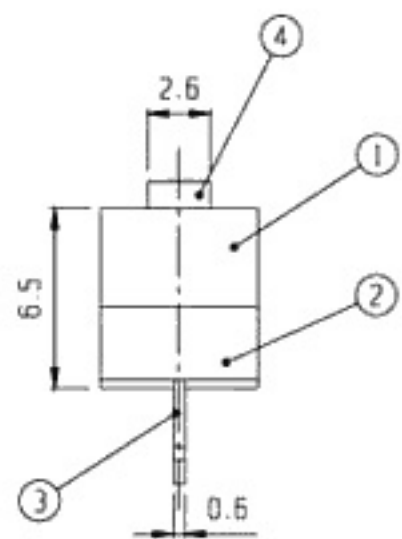
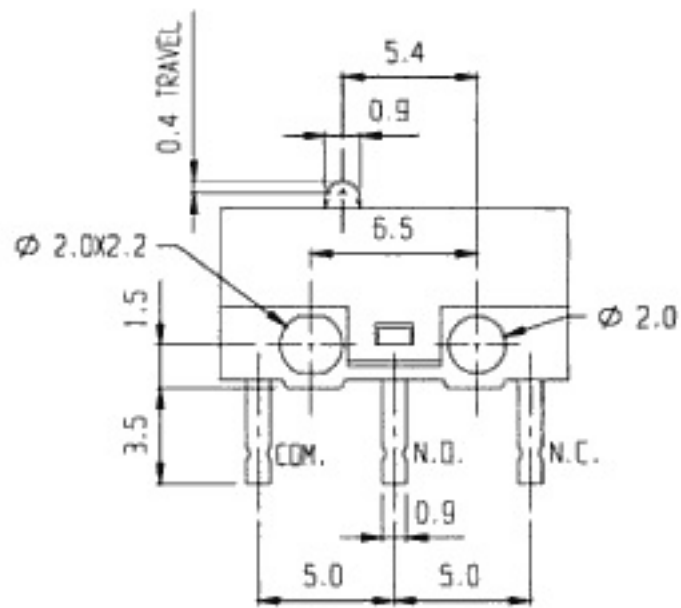


RoHS
Compliance



5	CONTACT	P B S	1		6	CONTACT POINT	Ag	1	
3	TERMINAL	BRASS	3	Ag PLATED	4	PUSH BOTTON	P O M	1	
1	COVER	NYLON	1		2	FRAME	A B S	1	
NO.	PART	MATERIAL	QTY	REMARKS	NO.	PART	MATERIAL	QTY	REMARKS

ISSUED SPECIFICATION TITLE: MICRO SWITCH

RATING: AC 125V 1A MODEL NO: MS-108

	CONTACT RESISTANCE: Not more than 30mΩ (initial)	TOLERANCE	UNIT: MM	DWN.	<i>hs</i>
	INSULATION RESISTANCE: 100MΩ AT 500V DC	UP TO 1.0:±0.1	SCALE: 3:1	CHK'D.	<i>ms</i>
	WITHSTAND VOLTAGE: AC 500V for 1 minute	1.0 TO 10.0:±0.2	VERSION: 04	APPD.	<i>[Signature]</i>
	OPERATION FORCE: REFER ATTACH SPECIFICATION	OVER 10.0:±0.3	DRWG NO:		
SWITCHING LIFE: 100K cycles min.					