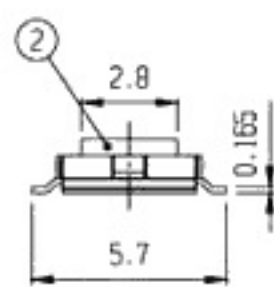
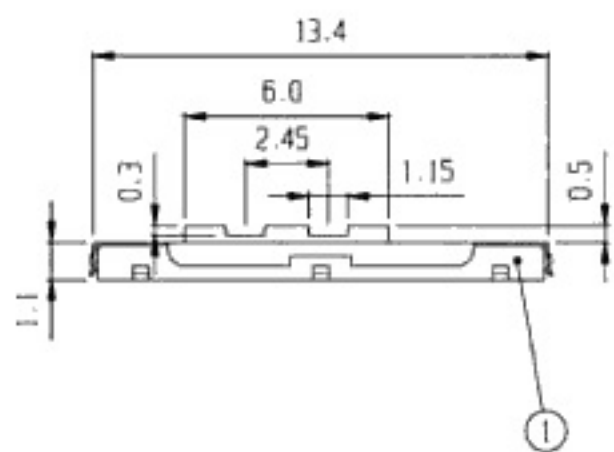


RoHS
Compliance



5	CONTACT	CuBe	1	Ag PLATED	6	SPRING PLATE	S U S	1	
3	TERMINAL	BRASS	5	Ag PLATED	4	COVER BOARD	S U S	1	
1	FRAME	NYLON 46	1		2	KNOB	NYLON 46	1	
NO.	PART	MATERIAL	QTY	REMARKS	NO.	PART	MATERIAL	QTY	REMARKS

ISSUED **SPECIFICATION** **TITLE:** MINIATURE SLIDE SWITCH (1P2T) (SMD)

RATING: DC 12V 0.1A
CONTACT RESISTANCE: 70mΩ max.
INSULATION RESISTANCE: 100MΩ AT 500V DC
WITHSTAND VOLTAGE: AC 100V for 1 minute
OPERATION FORCE: REFER ATTACH SPECIFICATION
SWITCHING LIFE: 10K cycles min.

MODEL NO: MSS-12D05

TOLERANCE	UNIT: MM	DWN.	<i>hso</i>
UP TO 1.0:±0.1	SCALE: 5:1	CHK'D.	<i>hso</i>
1.0 TO 10.0:±0.2	VERSION: 03	APPD.	<i>[Signature]</i>
OVER 10.0:±0.3	DRWG NO:		

