

0.156" (3.96 mm) Pitch Disconnectable Connector

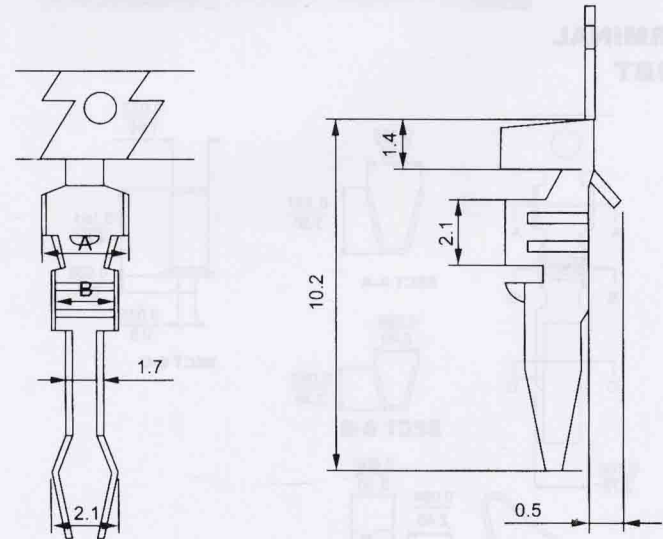
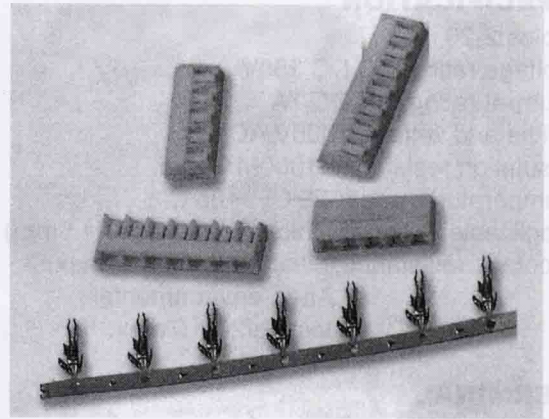
3096 Series

SPECIFICATION

Current rating: AC,DC,7A
 Voltage rating: AC,DC 250V
 Contact resistance:10m Ω (max)
 Temperature range:-25°C~ +85°C
 Insulation resistance:1000M Ω min
 Withstand voltage:800V AC/Minute
 Application wire:AWG # 16 To #22
 Application P.C.B thickness:1.6mm
 Application P.C.B hold dla: φ 1.8±0.05

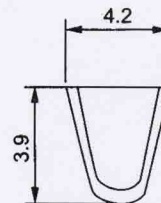
FEATUERS

Available number or curcuits:2-15
 Material:Nylon66 UL 94V-0

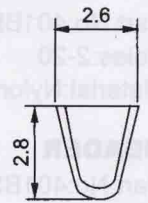


CONTACT INFORMATION

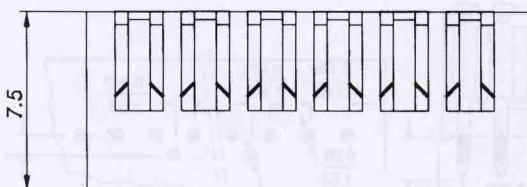
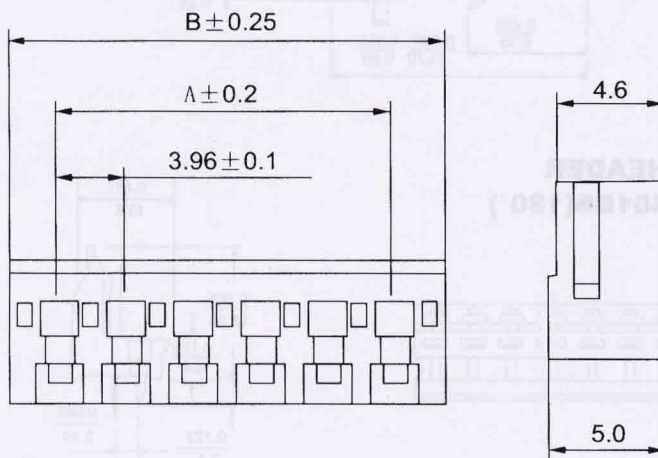
PART NO	WIRERANGE	INSULATION	NOTE
3096T-A	AWG#16-#22	3.1mm(MAX)	E:STAMPING
3096T-B	AWG#16-#22	3.11mm(MAX)	BEFOREPLATED
PART NO	MATERIAL	FINISH	QTYFEEL
3096T-A	BRASS	TIN-PLATED	4500PCS
3096T-B	BRASS	TIN-PLATED	4500PCS



SECTION:A-A



SECTION:B-B



POLES	DIMENSION.		POLES	DIMENSION.	
	A	B		A	B
2	3.96	8.56	9	31.68	35.68
3	7.92	12.52	10	35.64	40.24
4	11.88	16.28	11	39.60	40.20
5	15.84	20.44	12	43.56	40.16
6	19.80	24.40	13	47.52	50.12
7	23.76	28.36	14	51.46	55.08
8	27.72	32.32	15	55.44	60.04