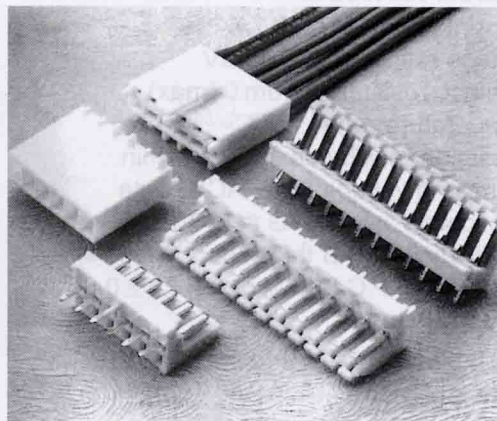


0.156" (3.96 mm) Pitch Center Crimp Connector

401B Series

SPECIFICATION

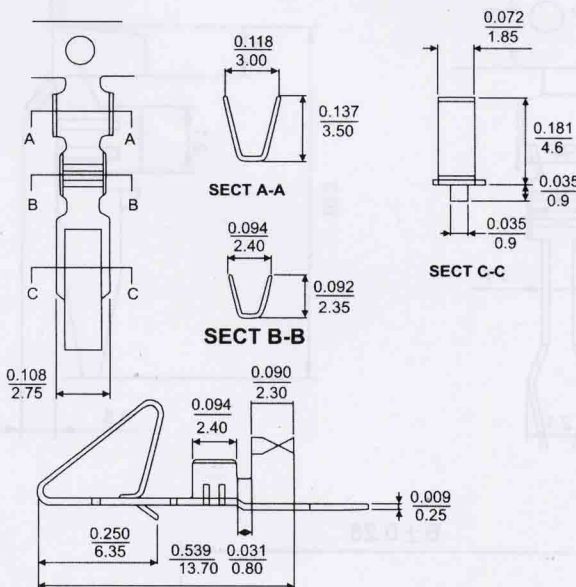
Poles: 2-20
 Voltage rating: AC, DC 250V
 Current rating: AC, DC, 7A
 Withstand voltage: 1000V AC/min.
 Insulation resistance: 1000M Ω /min.
 Temperature range: -20°C ~ +85°C
 Applicable PC board thickness: 0.063" (1.6mm)
 Contact resistance: Initial value/10m Ω max.
 After environmental testing/20m Ω max.



TERMINAL

Part No: 401BT
 Applicable wires: AWG#18-24
 Material: Brass
 Finish: Tin/plated
 Hardness: H
 Thickness: 0.25mm

TERMINAL 401BT



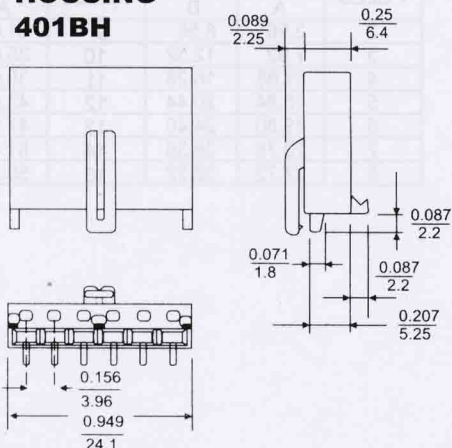
HOUSING

Part No: 401BH
 Poles: 2-20
 Material: Nylon 66, UL 94V-2

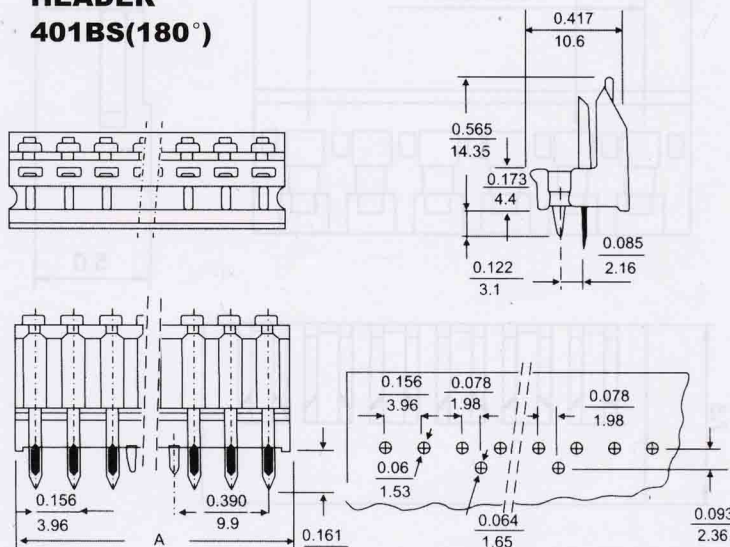
HEADER

Part No: 401BS(180°)
 Material: Post: Brass, Tin/plated
 Base: Nylon 66, UL 94V-2
 Current rating: 5A max
 Voltage rating: 250V AC
 Contact resistance: 20m Ω max
 6 Circuits: Din. " A " 23.9mm
 12 Circuits: Din. " A " 48.3mm

HOUSING 401BH



HEADER 401BS(180°)



P.C. BOARD LAYOUT