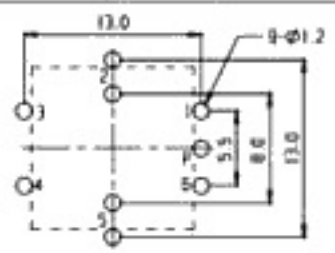
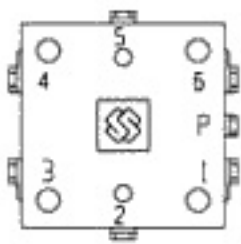
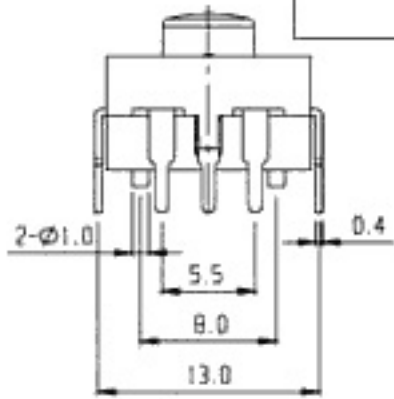
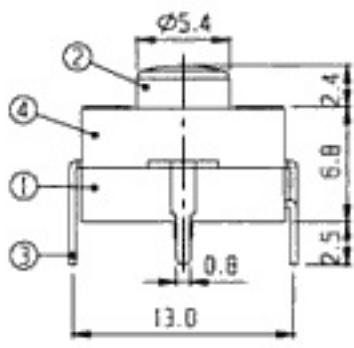


SCHEMATIC

RoHS Compliance



PCB LAYOUT



7	SPRING	STEEL WIRE	1	Au PLATED					
5	CONTACT	BRASS	1	Au PLATED	6	SPRING	STEEL WIRE	1	
3	TERMINAL	BRASS	7	Au PLATED	4	COVER	NYLON	1	
1	FRAME	NYLON	1		2	KNOB	P O M	2	
NO	PART	MATERIAL	QTY	REMARKS	NO	PART	MATERIAL	QTY	REMARKS

ISSUED

SPECIFICATION

TITLE: PUSH SLIDE SWITCH (1P6T)



RATING: DC 30V 1A
 CONTACT RESISTANCE: 100mΩ max.
 INSULATION RESISTANCE: 100MΩ at 500V DC
 WITHSTAND VOLTAGE: AC 500V for 1 minute
 OPERATION FORCE: REFER ATTACH SPECIFICATION
 SWITCHING LIFE: 5K cycles min.

MODEL NO: PS-16C01

TOLERANCE	UNIT: MM	DWN.	<i>hoo</i>
UP TO 1.0:±0.1	SCALE: 3:1	CHK'D.	<i>hoo</i>
1.0 TO 10.0:±0.2	VERSION: 01	APPD.	<i>[Signature]</i>
OVER 10.0:±0.3	DRWG NO:		