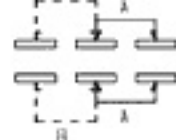
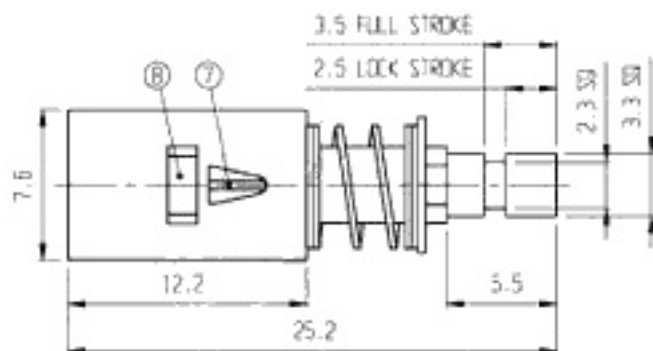
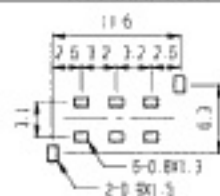


Non-shorting
shorting

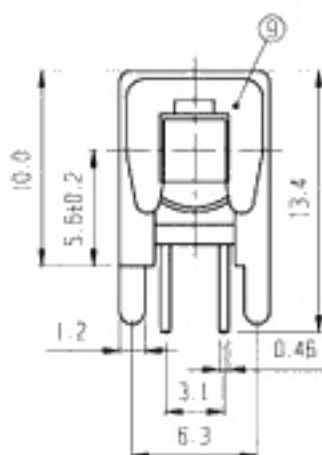
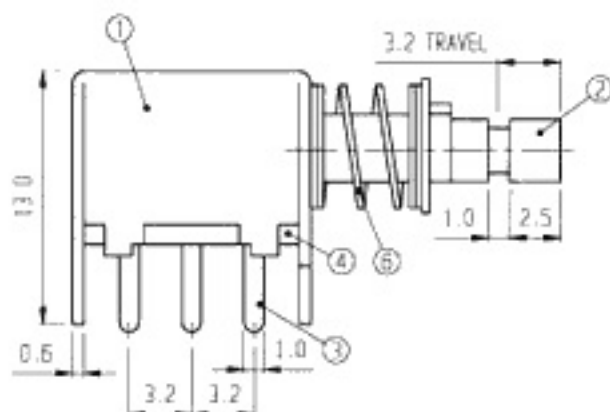


SCHMATIC



PCB LAYOUT

RoHS
Compliance



9	"U" PLATE	SPCC	1	Ni PLATED					
7	HOOK	BRASS	1		8	LOCK PLATE	P B S	1	
5	CONTACT	P B S	2	Ag PLATED	6	SPRING	STEEL WIRE	1	
3	TERMINAL	BRASS	6	Ag PLATED	4	TERMINAL BASE	PHENOL RESIN	1 NATURAL	
1	FRAME	SPCC	1	Ni PLATED	2	KNOB	P O M	1	
NO	PART	MATERIAL	QTY	REMARKS	NO	PART	MATERIAL	QTY	REMARKS

ISSUED

SPECIFICATION

TITLE: PUSH SLIDE SWITCH (2P2T)
(LOCK)

RATING: DC 30V 0.3A
 CONTACT RESISTANCE: 30mΩ max.
 INSULATION RESISTANCE: 500MΩ at 500V DC
 WITHSTAND VOLTAGE: AC 500V for 1 minute.
 OPERATION FORCE: REFER ATTACH SPECIFICATION
 SWITCHING LIFE: 10K cycles min.

MODEL NO: PS-22F02

TOLERANCE UNIT: MM
 UP TO 1.0:±0.1 SCALE: 3:1
 1.0 TO 10.0:±0.2 VERSION: 02
 OVER 10.0:±0.3 DRWG NO:

DWN. *hwo*
 CHK'D. *per*
 APPD. *[Signature]*

