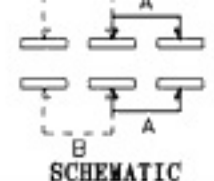
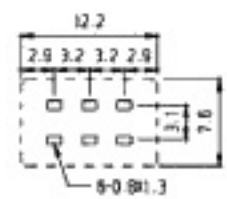


Non-shorting shorting

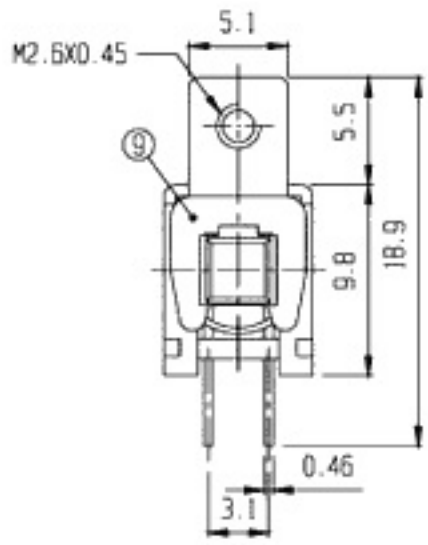
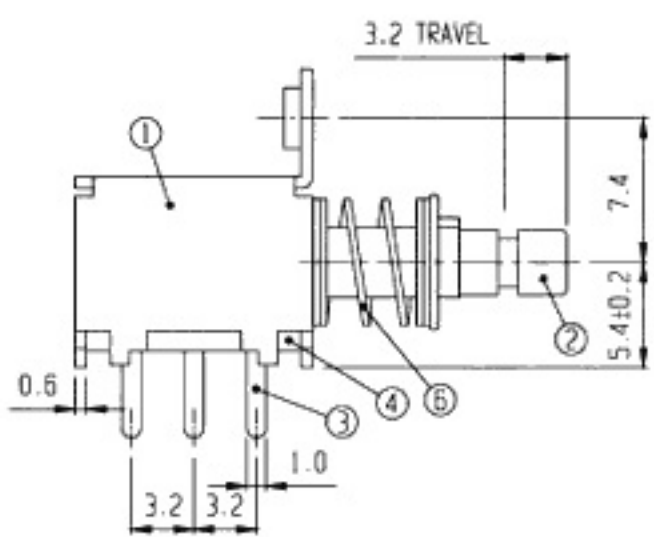
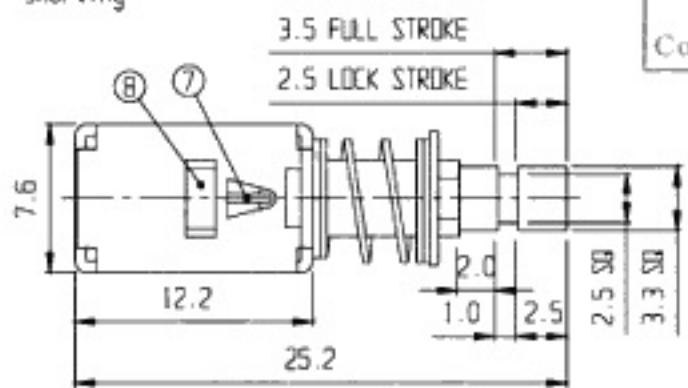
RoHS Compliance



SCHMATIC



PCB LAYOUT



9	"U" PLATE	SPCC	1	Ni PLATED					
7	HOOK	BRASS	1		8	LOCK PLATE	P B S	1	
5	CONTACT	P B S	2	Ag PLATED	6	SPRING	STEEL WIRE	1	
3	TERMINAL	BRASS	6	Ag PLATED	4	TERMINAL BASE	PHENOL RESIN	1 NATURAL	
1	FRAME	SPCC	1	Ni PLATED	2	KNOB	P O M	1	
NO	PART	MATERIAL	QTY	REMARKS	NO	PART	MATERIAL	QTY	REMARKS

ISSUED

SPECIFICATION

TITLE: PUSH SLIDE SWITCH (2P2T)  
(LOCK)



RATING: DC 30V 0.3A  
 CONTACT RESISTANCE: 30mΩ max.  
 INSULATION RESISTANCE: 500MΩ at 500V DC  
 WITHSTAND VOLTAGE: AC 500V for 1 minute  
 OPERATION FORCE: REFER ATTACH SPECIFICATION  
 SWITCHING LIFE: 10K cycles min.

MODEL NO: PS-22F04  
 TOLERANCE UNIT: MM  
 UP TO 1.0:±0.1 SCALE: 3:1  
 1.0 TO 10.0:±0.2 VERSION: 02  
 OVER 10.0:±0.3 DRWG NO:  
 DWN. hno  
 CHK'D. m  
 APPD.