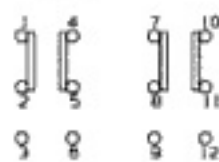


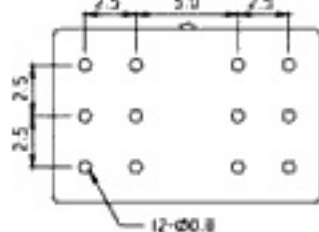
PUSH



**SCHEMATIC  
(TOP VIEW)**

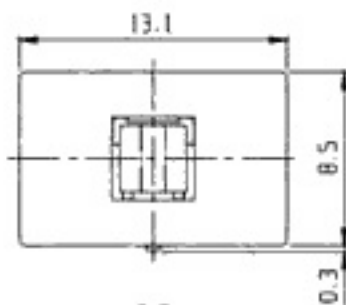


FREE

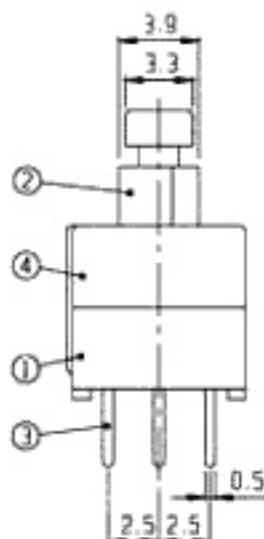
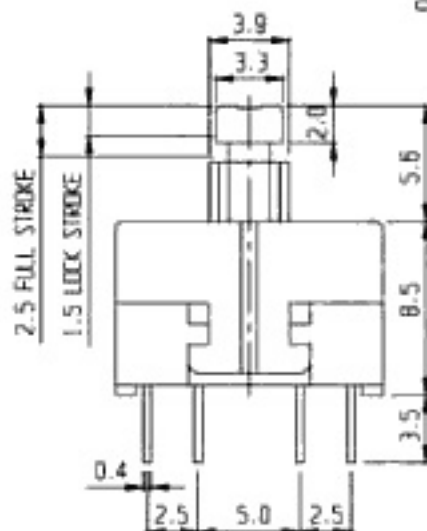


**PCB LAYOUT**

Non shorting



RoHS  
Compliance



7	HOOK	STEEL WIRE	1						
5	CONTACT	P B S	4	Ag PLATED	6	SPRING	STEEL WIRE	1	
3	TERMINAL	BRASS	12	Ag PLATED	4	COVER	A B S	1	
1	FRAME	A B S	1		2	KNOB	P O M	1	
NO	PART	MATERIAL	QTY	REMARKS	NO	PART	MATERIAL	QTY	REMARKS

ISSUED

SPECIFICATION

TITLE: PUSH SLIDE SWITCH (4P2T)  
(LOCKABLE) (01A)

RATING: DC 30V 0.1A

CONTACT RESISTANCE: 70mΩ max.

INSULATION RESISTANCE: 100MΩ at 500V DC

WITHSTAND VOLTAGE: AC 250V for 1 minute

OPERATION FORCE: REFER ATTACH SPECIFICATION

SWITCHING LIFE: 10K cycles min.

MODEL NO: PS-42E09L

TOLERANCE UNIT: MM

UP TO 1.0: ±0.1 SCALE: 3:1

1.0 TO 10.0: ±0.2 VERSION: 01

OVER 10.0: ±0.3 DRWG NO:

DWN. *hw*

CHK'D. *hw*

APPD. *hw*

