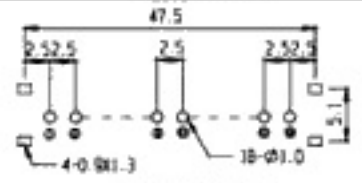


Non-shorting

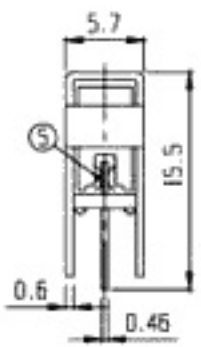
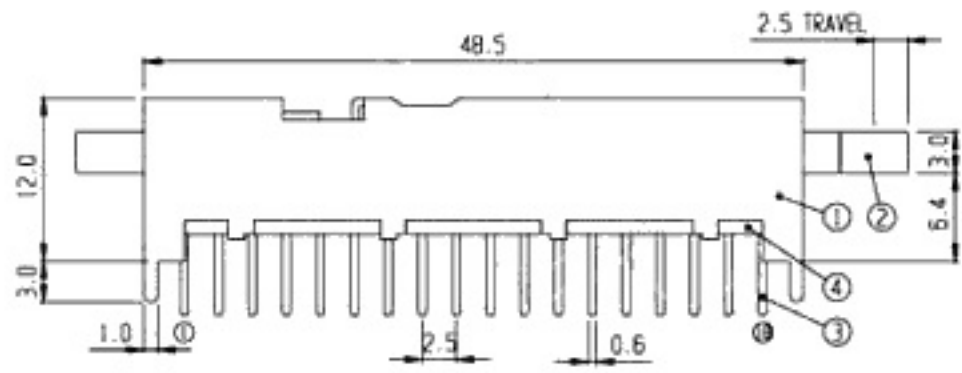
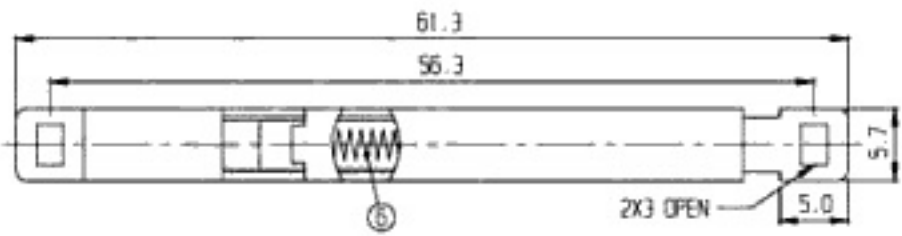


RoHS Compliance

SCHEMATIC



PCB LAYOUT



5	CONTACT	P B S	6	Ag PLATED	6	SPRING	STKEL WIRE	1	
3	TERMINAL	BRASS	18	Ag PLATED	4	TERMINAL BASE	PHENOL RESIN	1	NATURAL
1	FRAME	S P C C	1	Ni PLATED	2	KNOB	A B S	1	
NO	PART	MATERIAL	QTY	REMARKS	NO	PART	MATERIAL	QTY	REMARKS

ISSUED

SPECIFICATION

TITLE: PUSH SLIDE SWITCH (6P2T)
(NON SHORTING)

RATING: DC 30V 0.3A
 CONTACT RESISTANCE: 30mΩ max.
 INSULATION RESISTANCE: 500MΩ at 500V DC
 WITHSTAND VOLTAGE: AC 500V for 1 minute
 OPERATION FORCE: REFER ATTACH SPECIFICATION
 SWITCHING LIFE: 10K cycles min.

MODEL NO: PS-62E01

TOLERANCE	UNIT: MM	DWN.	
UP TO 1.0:±0.1	SCALE: 2:1	CHK'D.	
1.0 TO 10.0:±0.2	VERSION: 01	APPD.	
OVER 10.0:±0.3	DRWG NO:		

