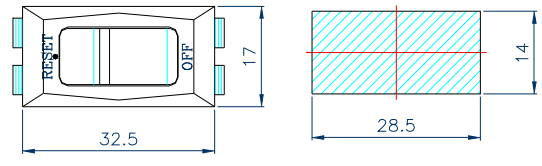
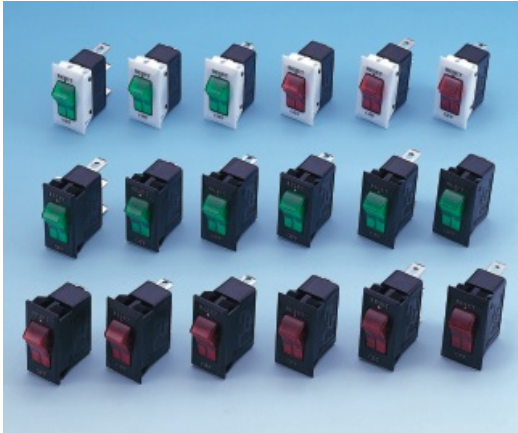
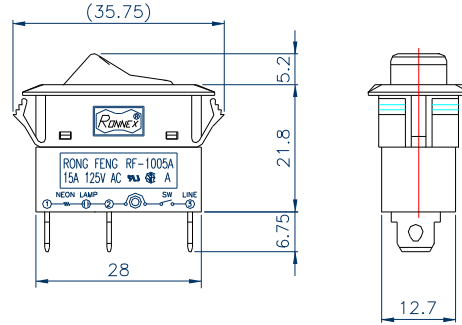


ROCKER SWITCH



PANEL CUT OUT



CIRCUIT BREAKER TRIPTIME VS AMPERES

Model Number	Current Rating	Overload Percentage	Trip Time (in seconds) VS Amperes at+25
RF-1005A	15A	100%	Number Trip
		150%	Trip in 1 hours
		200%	3~30
		300%	1~10
		400%	0.4~2.5
		600%	0.2~0.75
		800%	0.10~0.4
		1000%	0.07~0.3

RF-1005A

STANDARD :UL 1077/IEC 60934
 RATING :15A250V AC
 APPROVALS :UL/CSA

RF-1005A Oder Numbers

