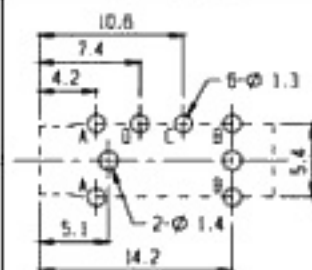


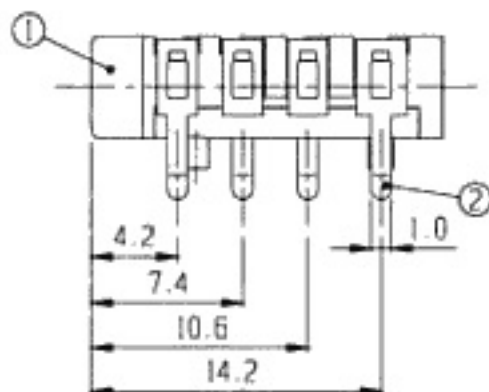
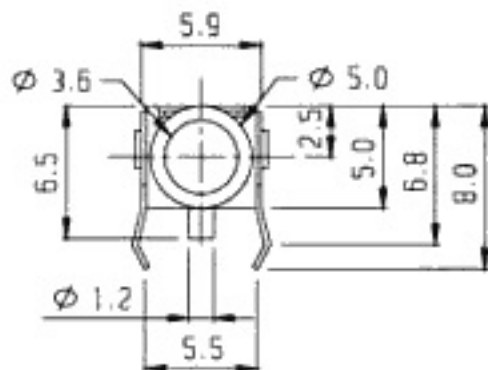
RoHS
Compliance



SCHEMATIC



PCB LAYOUT



1	FRAME	P O M	1		2	CONTACT	P B S	4	Ag PLATED
NO.	PART	MATERIAL	QTY	REMARKS	NO.	PART	MATERIAL	QTY	REMARKS

ISSUED

SPECIFICATION

TITLE: 3.5mm STEREO JACK

RATING: DC 30V 0.3A

CONTACT RESISTANCE: 50mΩ max.

INSULATION RESISTANCE: 100MΩ AT 500V DC

WITHSTAND VOLTAGE: AC 500V for 1 minute

OPERATION FORCE: REFER ATTACH SPECIFICATION

SWITCHING LIFE: 5M cycles (15-18 cycles/min unloading)

MODEL NO: ST-3541

TOLERANCE UNIT: MM

UP TO 1.0: ±0.1 SCALE: 3:1

1.0 TO 10.0: ±0.2 VERSION: 1

OVER 10.0: ±0.3 DRWG NO:

DWN. *hoo*

CHK'D. *hoo*

APPD. *hoo*

