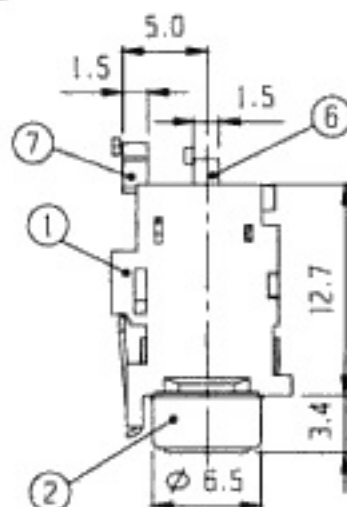
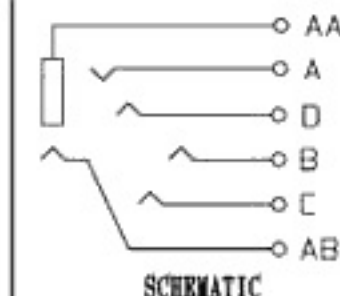


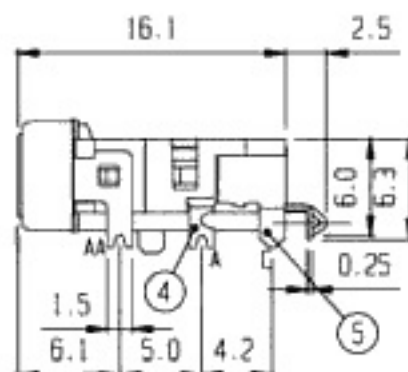
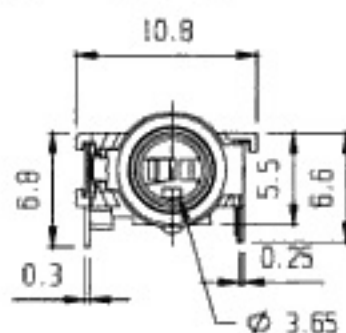
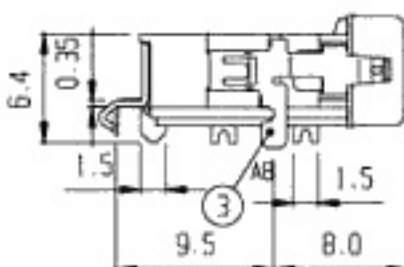
14.0±0.2

2.2

3.5



RoHS
Compliance



7	SPRING PLATE	CuBe	1	Ag-PLATING					
5	SPRING PLATE	P B S	1	Ag-PLATING	6	SPRING PLATE	P B S	1	Ag-PLATING
3	SPRING PLATE	P B S	1	Ag-PLATING	4	SPRING PLATE	P B S	1	Ag-PLATING
1	FRAME	NYLON	1		2	FRONT TERMINAL	BRASS	1	Ni-PLATING
NO.	PART	MATERIAL	QTY	REMARKS	NO.	PART	MATERIAL	QTY	REMARKS

ISSUED

SPECIFICATION

TITLE: 3.5mm STERED JACK

RATING: DC 30V 0.3A

CONTACT RESISTANCE: 70mΩ max.

INSULATION RESISTANCE: 100MΩ AT 500V DC

WITHSTAND VOLTAGE: AC 500V for 1 minute

OPERATION PORCE: REFER ATTACH SPECIFICATION

SWITCHING LIFE: 5K cycles min.

MODEL NO: ST-3564

TOLERANCE

UNIT: MM

DWN.

UP TO 1.0:±0.1

SCALE: 2.5:1

CHK'D.

1.0 TO 10.0:±0.2

VERSION: 02

OVER 10.0:±0.3

DRWG NO:

APPD.

