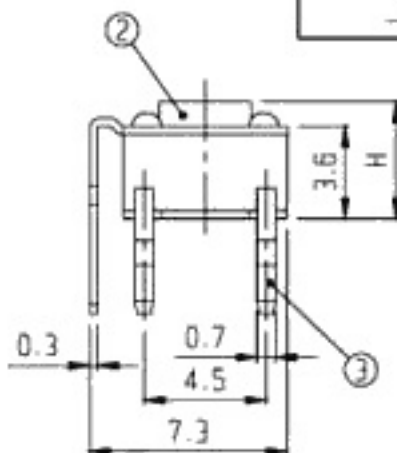
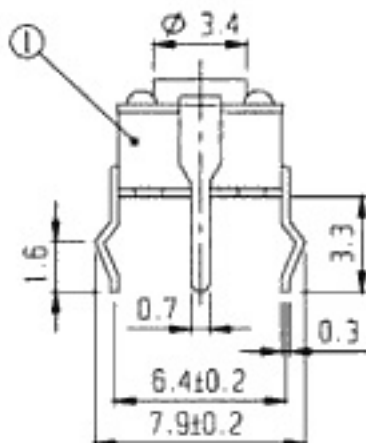
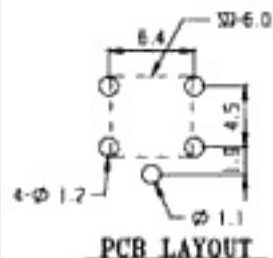


RoHS
Compliance



MODEL NO.	H	MODEL NO.	H
TC-00105-00	4.30	TC-00105E-00	7.00
TC-00105A-00	5.00	TC-00105F-00	8.00
TC-00105B-00	7.30	TC-00105G-00	12.50
TC-00105C-00	9.50	TC-00105H-00	13.50
TC-00105D-00	13.00	TC-00105L-00	6.00

NO	PART	MATERIAL	QTY	REMARKS
5	CONTACT	P B S	1	Ag PLATED
3	TERMINAL	BRASS	4	Ag PLATED
1	FRAME	NYLON	1	

NO	PART	MATERIAL	QTY	REMARKS
4	COVER BOARD	SPCC	1	Ni PLATED
2	KNOB	NYLON	1	

ISSUED **SPECIFICATION** **TITLE: TACT SWITCH**

RATING: DC 12V 50mA **MODEL NO:** TC-00105 ()-00

CONTACT RESISTANCE: 100mΩ Max. **TOLERANCE** **UNIT: MM** **DWN.** *hoo*

INSULATION RESISTANCE: 100MΩ at 500V DC **UP TO 1.0:±0.1** **SCALE: 4:1** **CHK'D.** *hoo*

WITHSTAND VOLTAGE: AC 250V for 1 minute. **1.0 TO 10.0:±0.2** **VERSION: 02** **APPD.** *hoo*

OPERATION FORCE: REFER ATTACH SPECIFICATION **OVER 10.0:±0.3** **DRWG NO:** **APPD.** *hoo*

