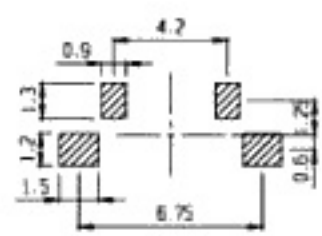
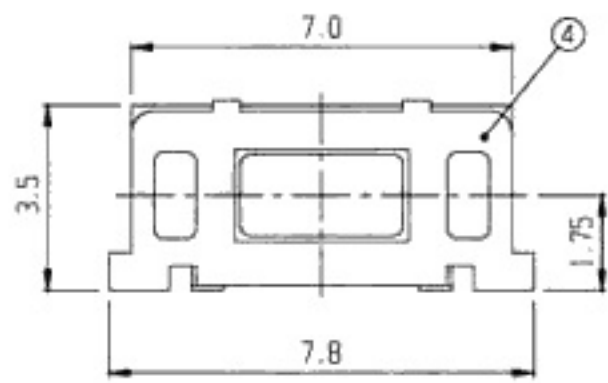


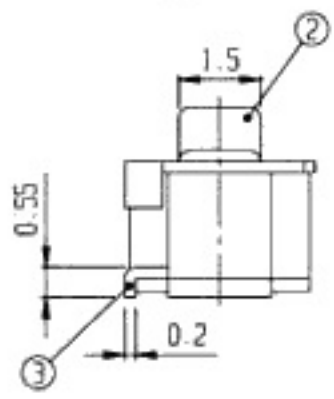
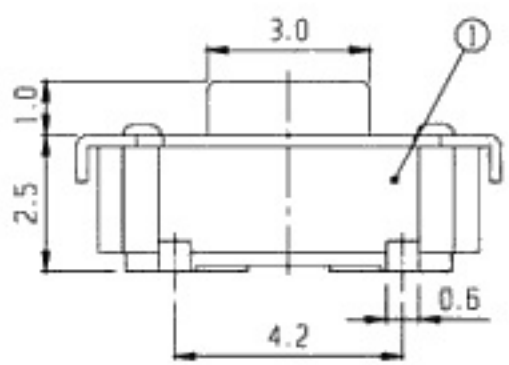
SCHEMATIC



PCB LAYOUT



RoHS
Compliance



5	CONTACT	S U S	1						
3	TERMINAL	BRASS	2	Ag PLATED	4	COVER BOARD	BRASS	1 Ni PLATED	
1	FRAME	NYLON 46	1	HA	2	KNOB	NYLON 46	1 HB	
NO	PART	MATERIAL	QTY	REMARKS	NO	PART	MATERIAL	QTY	REMARKS

ISSUED SPECIFICATION TITLE: TACT SWITCH



RATING: DC 12V 50mA		MODEL NO: TC-06309-00	
CONTACT RESISTANCE: 100mΩ Max.		TOLERANCE	UNIT: MM
INSULATION RESISTANCE: 100MΩ at 500V DC		UP TO 1.0:±0.1	SCALE: 8:1
WITHSTAND VOLTAGE: AC 250V for 1 minute.		1.0 TO 10.0:±0.2	VERSION: 02
OPERATION FORCE: REFER ATTACH SPECIFICATION		OVER 10.0:±0.3	DRWG NO:
SWITCHING LIFE: 50k Cycles Min.			

DWN. *hwo*
CHK'D. *hwo*
APPD. *hwo*