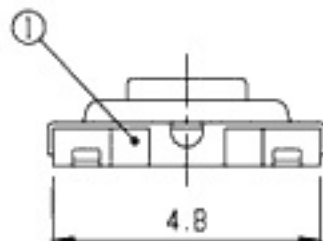
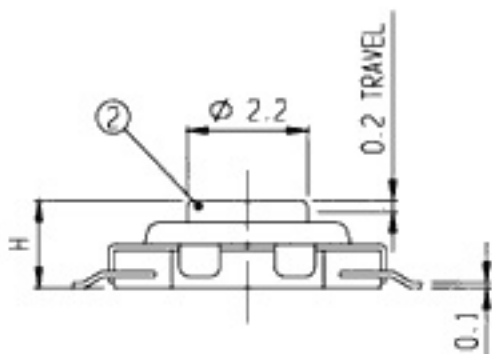


RoHS
Compliance



TC-12016-00-WK	1.7
TC-12016-00-CK	1.7
MODEL NO.	H

NO	PART	MATERIAL	QTY	REMARKS	NO	PART	MATERIAL	QTY	REMARKS
5	CONTACT	S U S	1	Ag PLATED	6	DUST COVER	POLYIMIDE	1	
3	TERMINAL	P B S	4	Ag PLATED	4	COVER	S U S	1	
1	FRAME	NYLON 46	1		2	KNOB	NYLON46+P B S	1	

ISSUED	SPECIFICATION	TITLE: TACT SWITCH		
---------------	----------------------	---------------------------	--	--

	RATING: DC 12V 50mA	MODEL NO: TC-12016-00-CK			
	CONTACT RESISTANCE: 100mΩ Max.				
	INSULATION RESISTANCE: 100MΩ at 500V DC	TOLERANCE	UNIT: MM	DWN.	<i>hso</i>
	WITHSTAND VOLTAGE: AC 250V for 1 minute.	UP TO 1.0:±0.1	SCALE: 8:1	CHK'D.	<i>mm</i>
	OPERATION FORCE: REFER ATTACH SPECIFICATION	1.0 TO 10.0:±0.2	VERSION: 02	APPD.	<i>[Signature]</i>
SWITCHING LIFE: 100k Cycles Min.	OVER 10.0:±0.3	DRWG NO:			