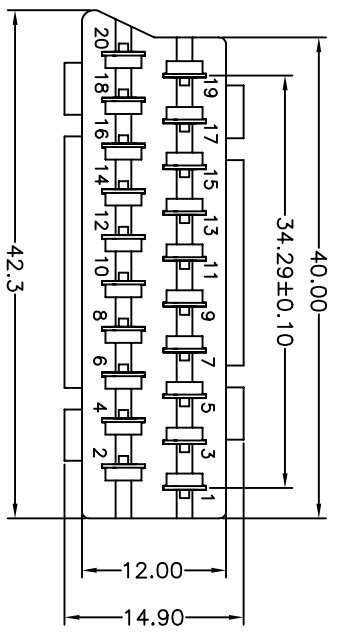
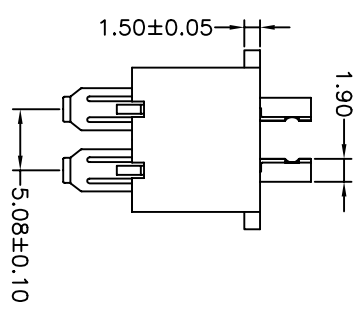
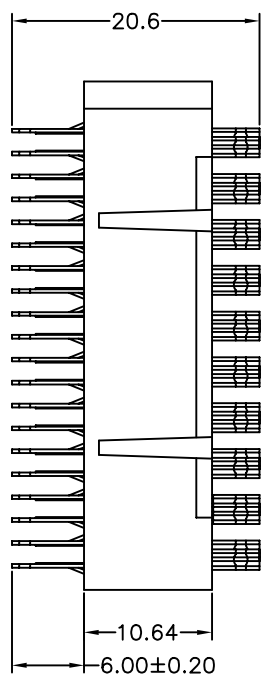
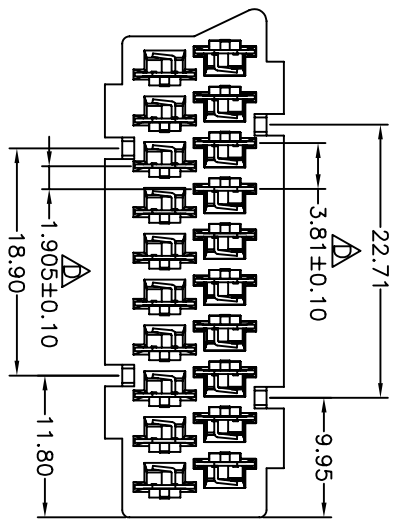


REV.	NOTES	DATE
A	RELEASED	2006/05/16
B	增加料號ASC+0100-10C	2006/11/17
C	端子阻抗最大為25Ω	2006/12/07
D	SEE MARK Δ	2007/01/25



- NOTES:
- MATERIALS
 - Insulator: P.C. Or PBT
 - Contact: Brass 0.3t. Tin Plated Or Gold Plated
 - SPECIFICATIONS
 - Current Rating: 3.0 Amp
 - Dielectric Strength: 1000V AC for one minute
 - Insulator Resistan: 1000M ohms Min
 - Contact Resistance: 25m ohms Max
 - Operation Temperature: -55°C to +105°C

Part No.	Plating.	Materials.	Colors
ASC+0100-10B	GOLD PLATED	P.B.T.	BLACK
ASC+0100-40C	TIN PLATED	P.c	BLACK
ASC+0100-40B	TIN PLATED	P.B.T.	BLACK
ASC+0100-10C	GOLD PLATED	P.C.	BLACK

單位 (UNITS)	mm	圖名 (NAME)
數量 (QTY)	N/A	中心柱滿PIN 無毒
材料 (M'T'L)	SEE NOTE	
處理 (FINISH)	SEE NOTE	
繪圖 (DRAW)		
設計 (DE'N)		
審核 (CH'K)		
核准 (APP' D)		

DIMENSIONS TOLERANCE			
METRIC			
0 = ±.3			
.00 = ±.20			
.0000 = ±.XXX			
.0000 = ±.5			
ANG. = ±.5°			

料號 (PART NUMBER)	ASC+0100-10B
圖號 (DRAW NUMBER)	RASCO10010B
圖檔 (FILE NAME .DWG)	E:GCT/A/SC/01
比例 (SCALE)	1/1
圖紙 (SHEET)	A4
頁次 (SHEET)	1
版本 (REV.)	D