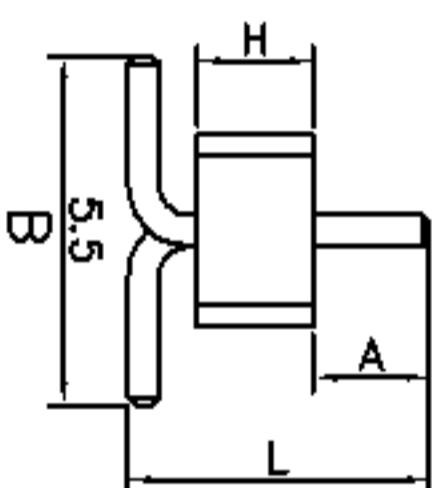
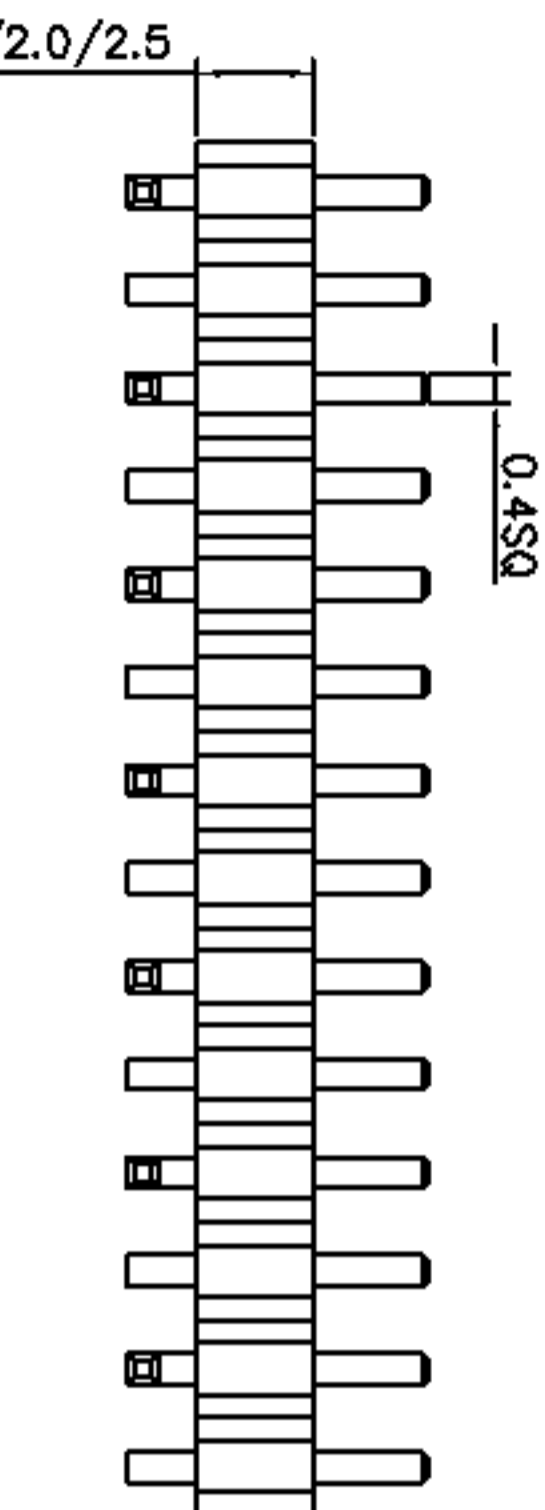
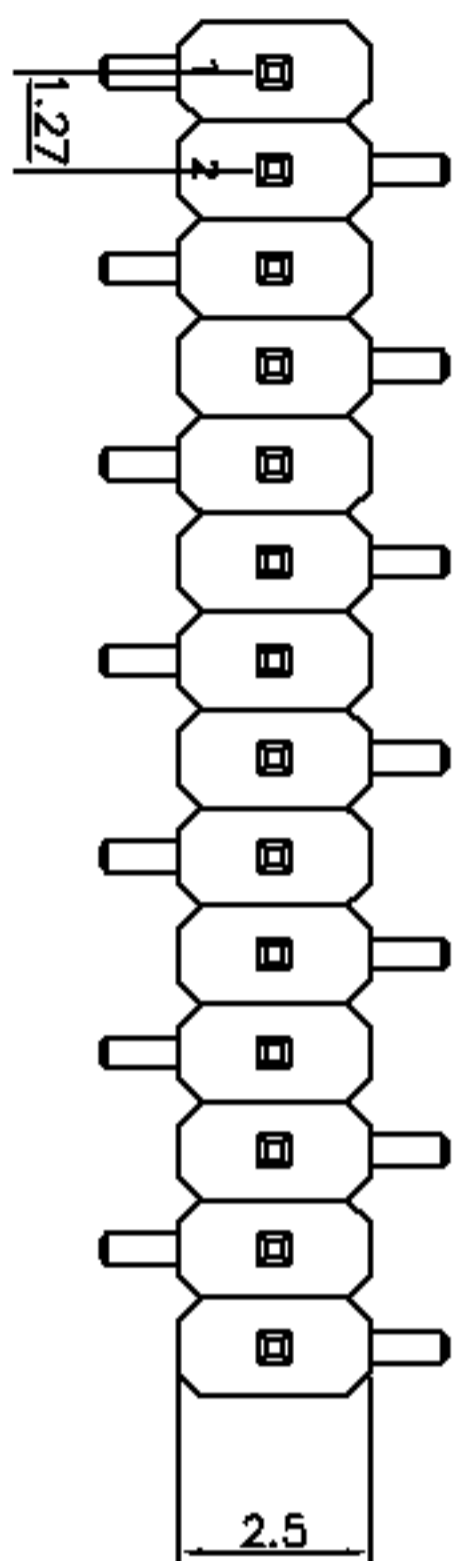


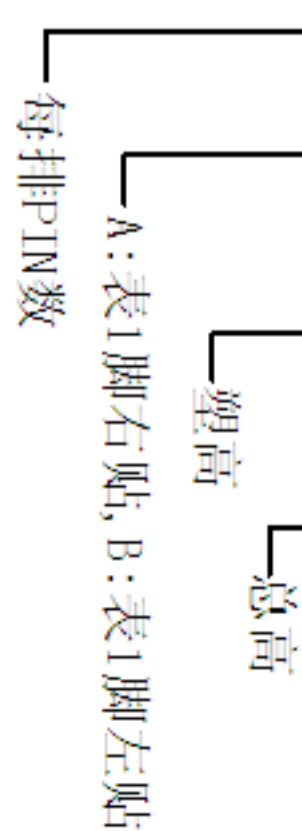
A	新版图	/	LZW



A、B、H、L的尺寸
可依客户要求订做

1101-427M11XXX B-H-L

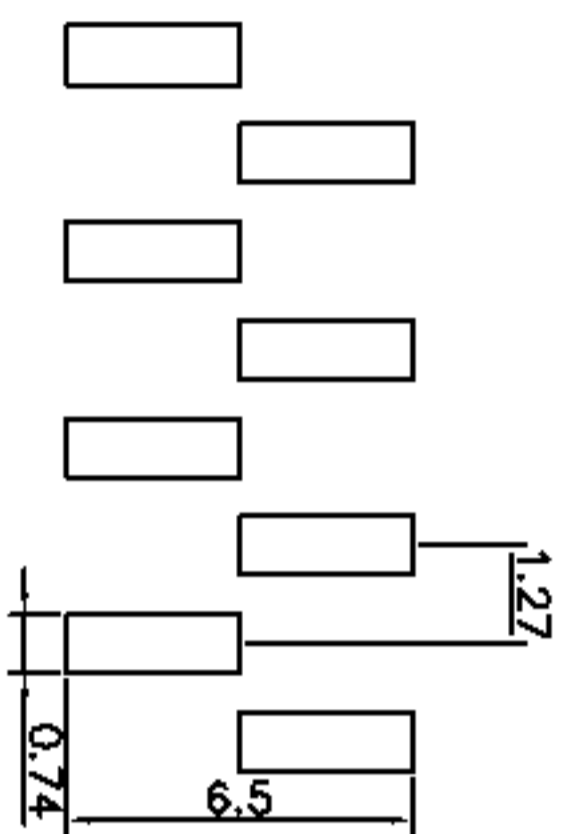
L-1.27PIN距单塑胶单
排SMT排针系列



Specification:

Current Rating: 1Ampere
 Insulation Resistance :1000M ohms Min.
 Dielectric Withstanding :300V AC
 Contact Resistance: 20m ohms Max.
 Operating temperature:-40° C to +105° C
 Material:
 Contact: Brass,Gold Flash or per Require
 Housing:Nylon6T UL 94V-0

PCB Layout



TOLERANCE		DRAWN		DATE		 武汉宇恒电子有限公司 WUHAN YUHENG ELECTRONIC CO., LTD
TOL	ANGLE	LZW	2011.09.07	CHECKED		
ON				DATE		TITLE:
.XXX =	0.05			CLIENT APPROVED		排针系列-1.27PIN距-单排 单塑胶-SMT型
XX =	0.15			DATE	RFQ NO	
X -	0.20				CLIENT P/N	
X. =	0.30				UNIT :	SCALE: free
					FILE NO. :	YH20120528A006