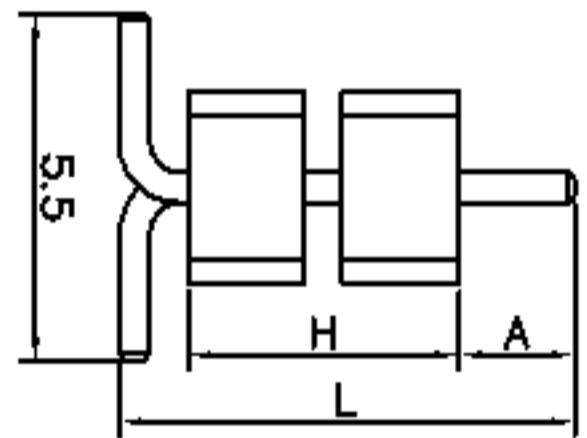
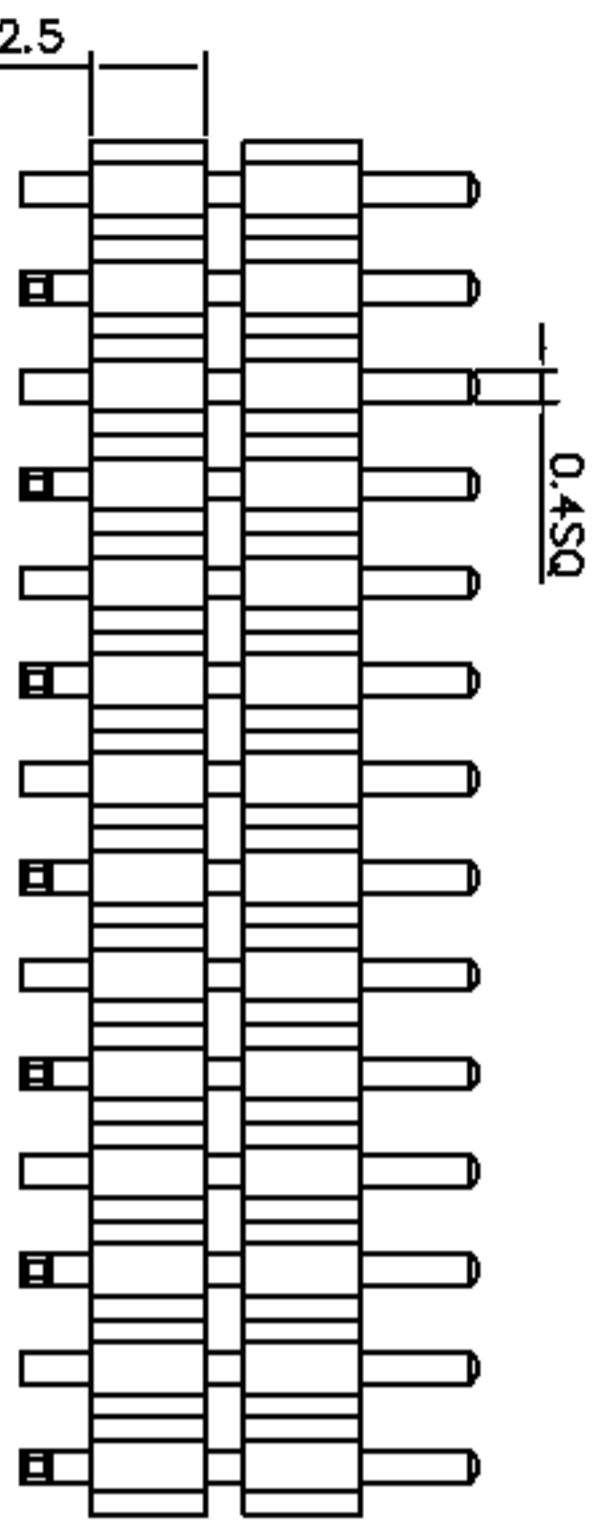
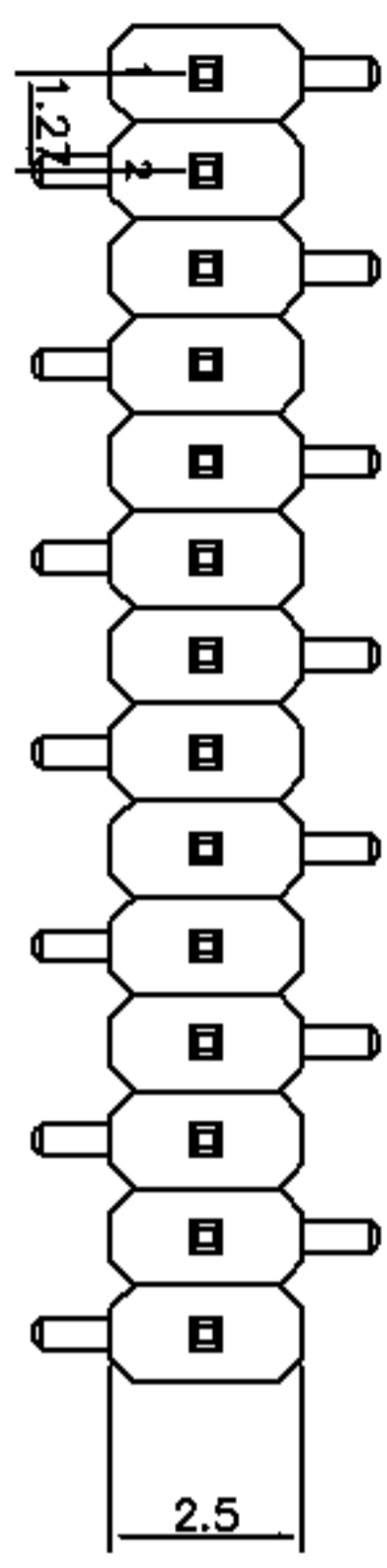
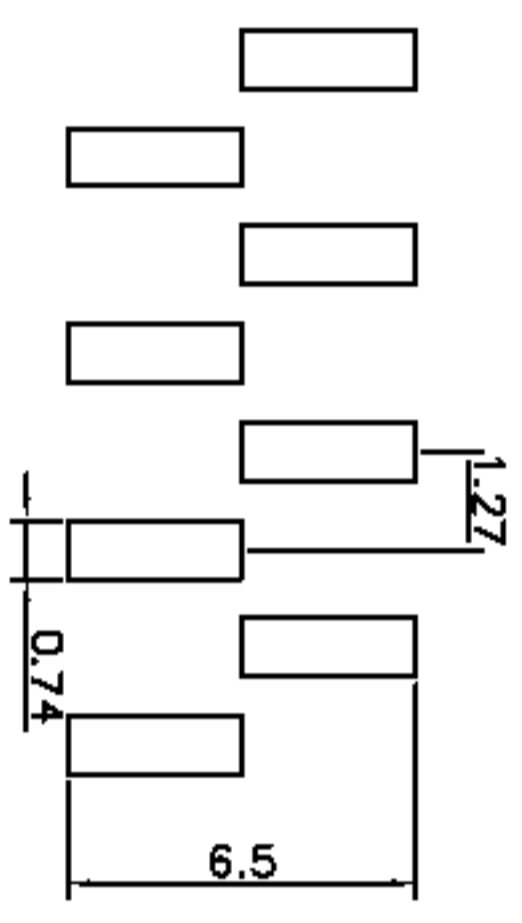


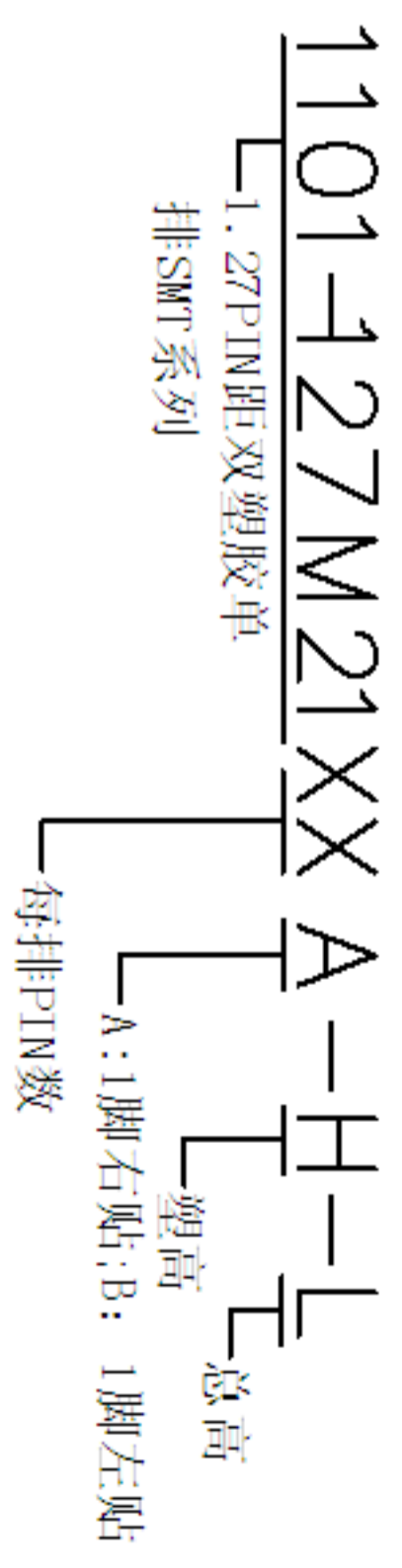
A		新版图	/	2011.09.07
				LZW



A、H、L的尺寸
可依客户要求订做



PCB Layout



Specification:

Current Rating: 1 Ampere
 Insulation Resistance : 1000M ohms Min.
 Dielectric Withstanding : 300V AC
 Contact Resistance: 20m ohms Max.
 Operating temperature: -40° C to +105° C
 Material:
 Contact: Brass, Gold Flash or per Requirm
 Housing: Nylon6T UL 94V-0

TOLERANCE		DRAWN	DATE	 武汉宇恒电子有限公司 WUHAN YUHENG ELECTRONIC CO., LTD
TOL	ANGLE	LZW	2011.09.07	
ON		CHECKED	DATE	TITLE:
XXX =	0.05			排针系列-1.27PIN距-单排 双塑胶-SMT型
XX =	0.15	CLIENT APPROVED	DATE	REQ NO
X -	0.20			CLIENT P/N
X. =	0.30			UNIT : mm
				SCALE: free
				FILE NO. : YH20120528A007