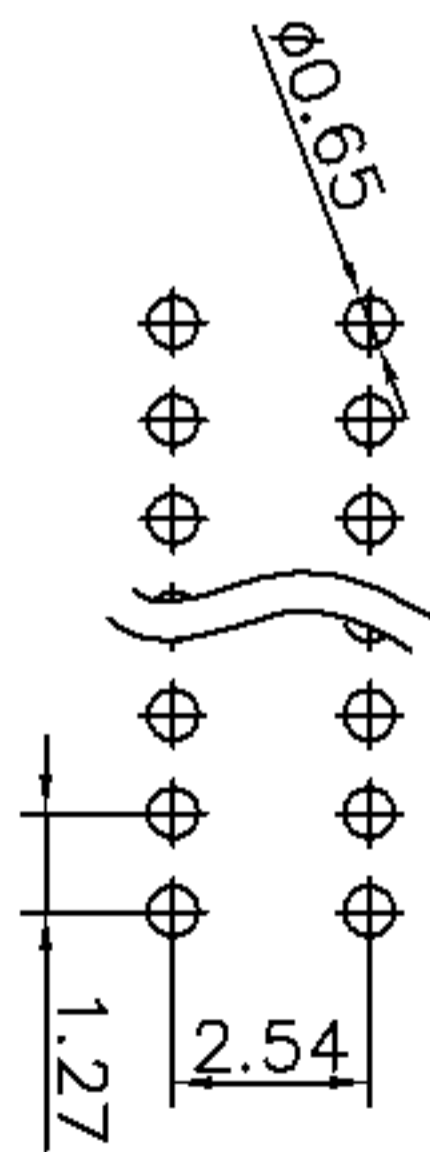
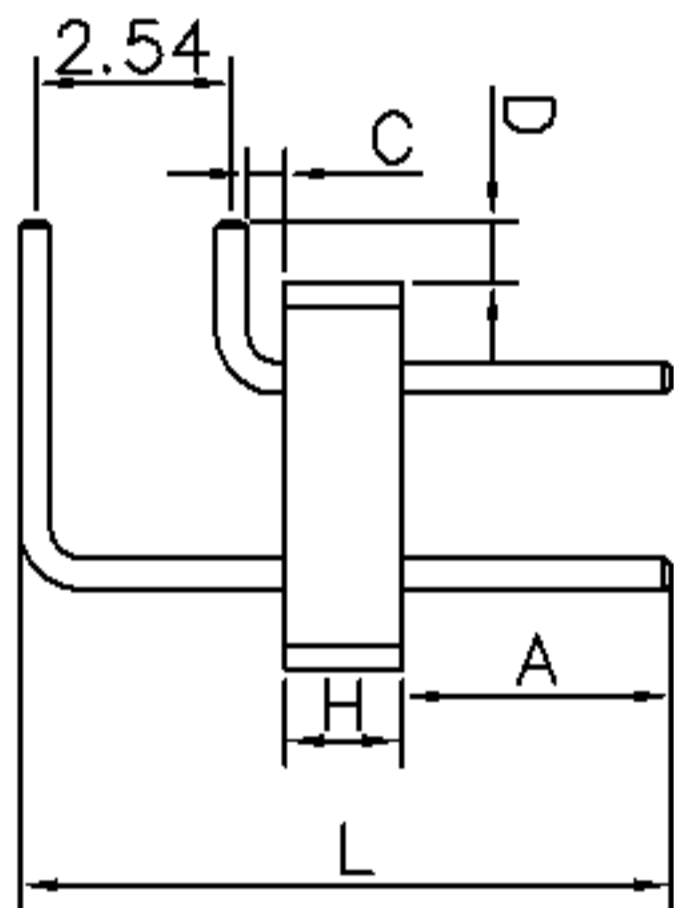
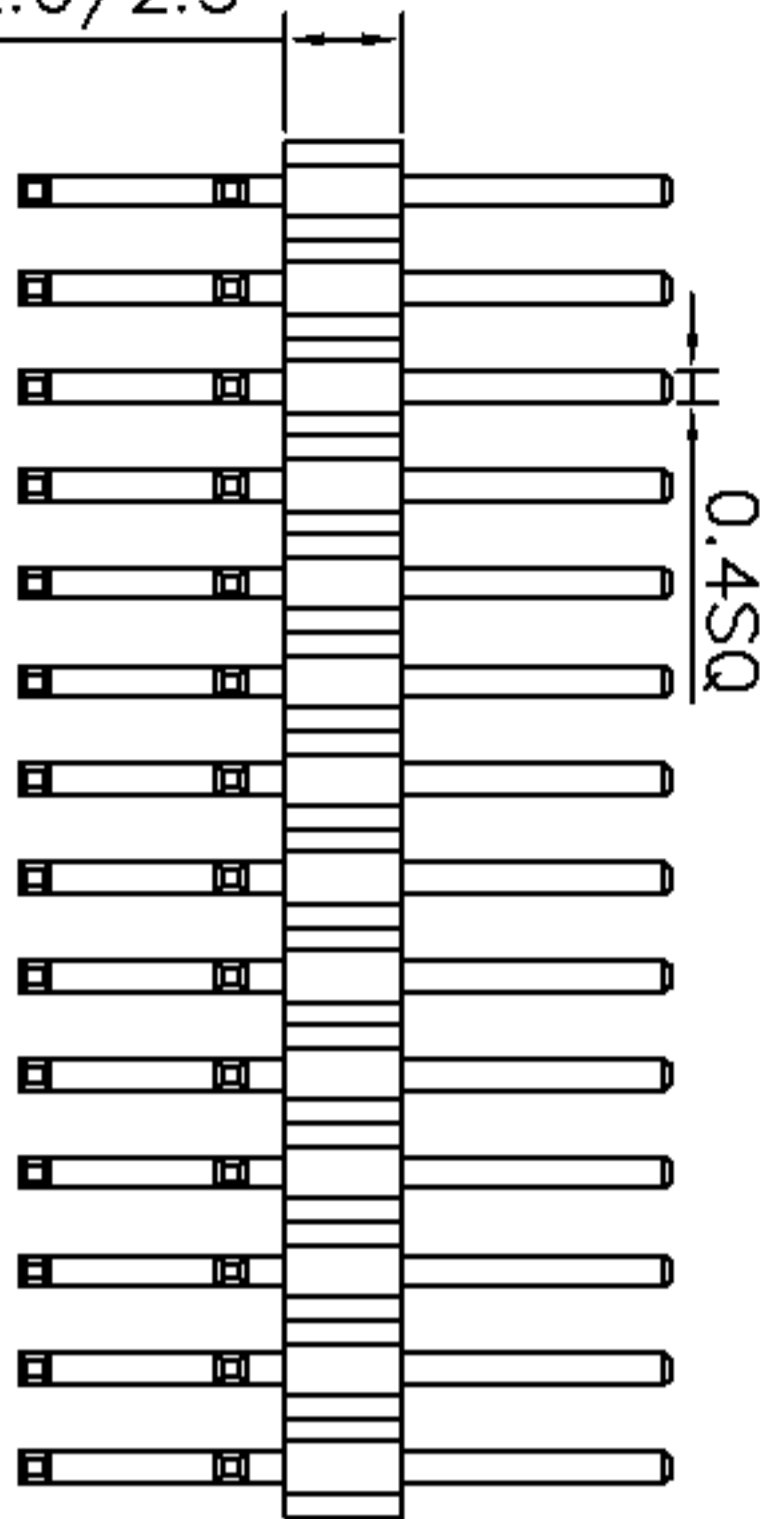
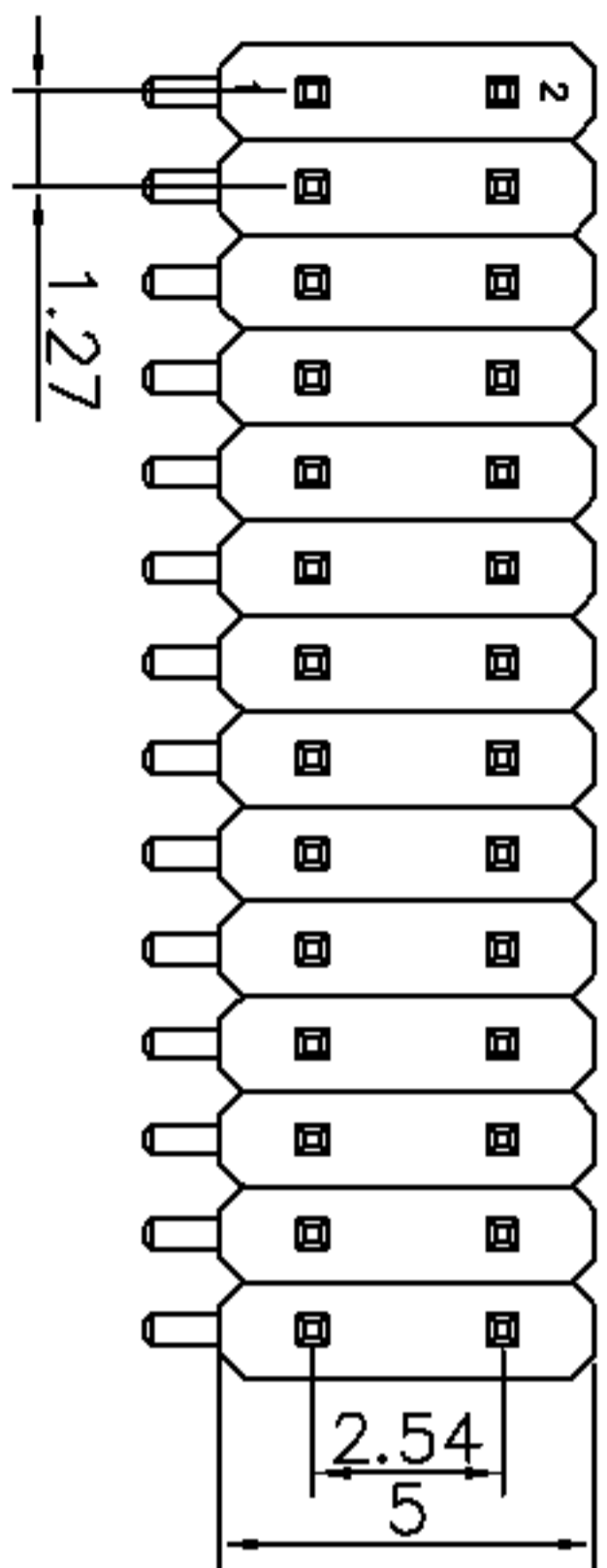


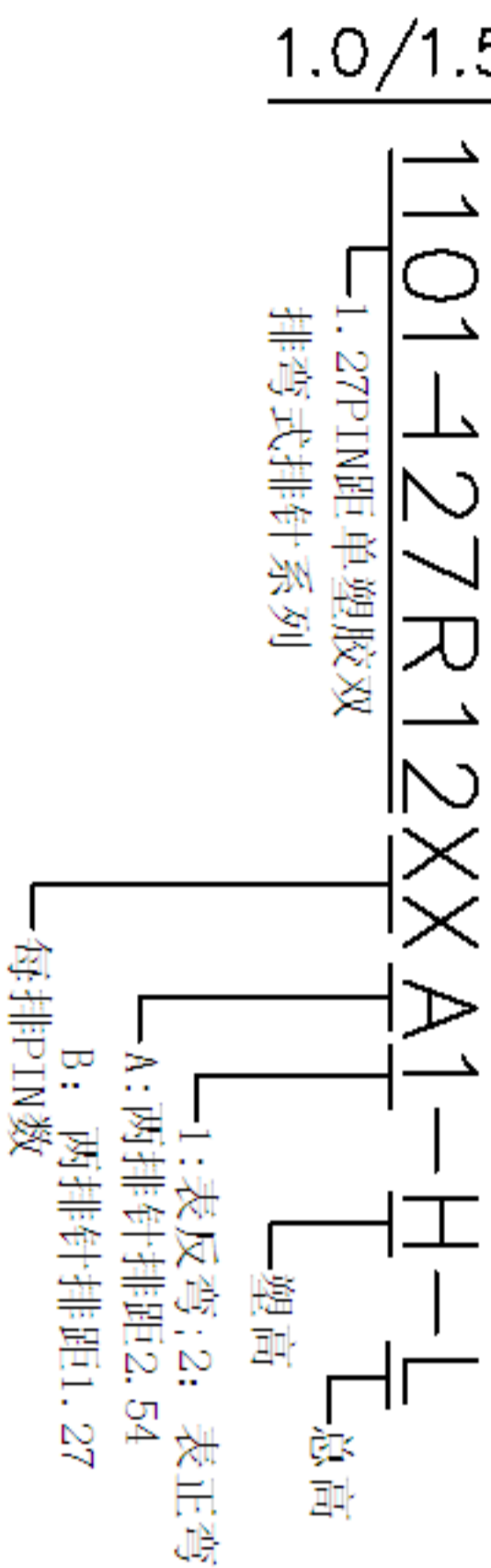
A			
	新版图		
		2011.09.07	LZW



### PCB Layout

A、C、D、H、L的尺寸  
可依客户要求订做

Specification:  
 Current Rating: 1 Ampere  
 Insulation Resistance: 1000M ohms Min.  
 Dielectric Withstanding: 300V AC  
 Contact Resistance: 20m ohms Max.  
 Operating temperature: -40° C to +105° C  
 Material:  
 Contact: Brass, Gold Flash or per Requirement  
 Housing: Nylon6T UL 94V-0



DRAWN		DATE		 武汉宇恒电子有限公司 WUHAN YUHENG ELECTRONIC CO., LTD
LZW		2011.09.07		
CHECKED		DATE		TITLE:
				排针系列-1.27*2.54PIN距-双排 单塑胶-弯式
CLIENT APPROVED		DATE		REQ NO
				CLIENT P/N
				UNIT: mm
				SCALE: free
				FILE NO.: YH20120525A005

TOLERANCE		ANGLE
TOL		
ON	0.05	
XXX =	0.15	1°
XX =	0.20	2°
X =	0.30	