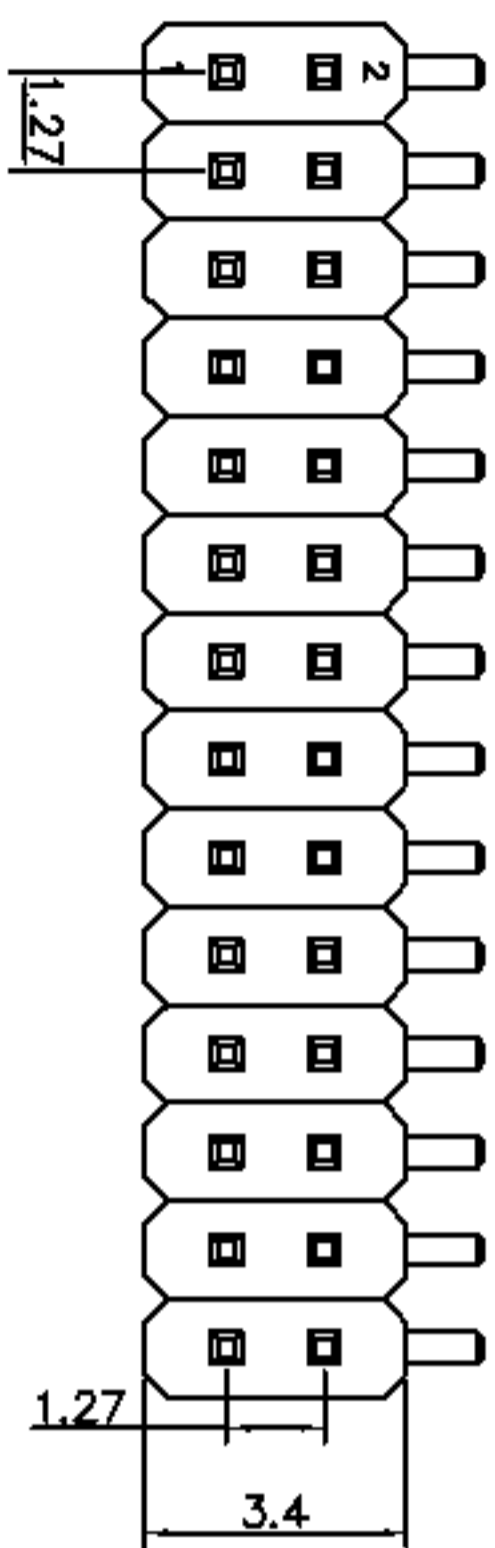


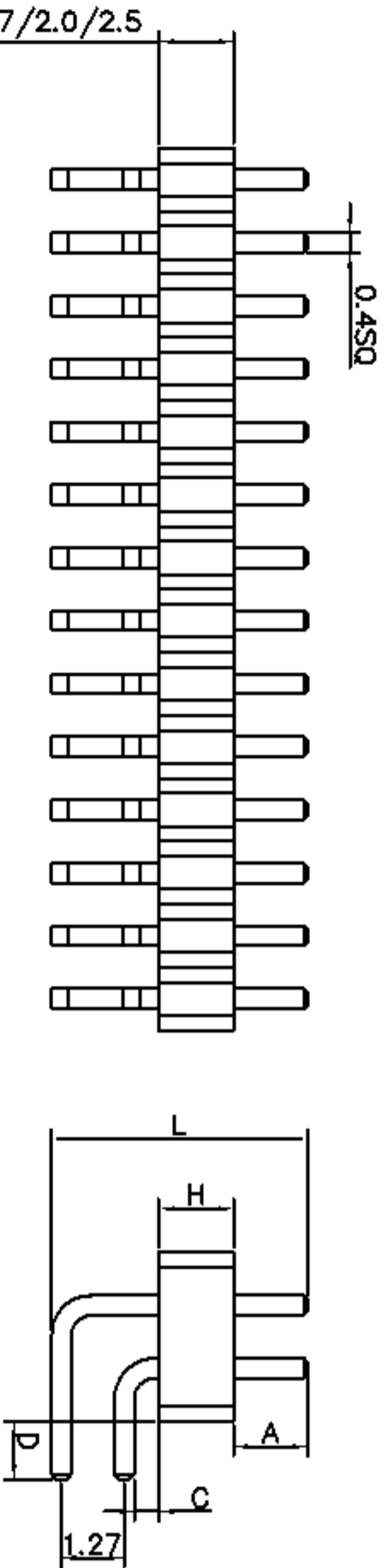
A			
	新版图	/	
		2011.09.07	LZW



PCB Layout

Specification:

Current Rating: 1 Ampere
 Insulation Resistance : 1000M ohms Min.
 Dielectric Withstanding : 300V AC
 Contact Resistance: 20m ohms Max.
 Operating temperature: -40° C to +105° C
 Material:
 Contact: Brass, Gold Flash or per Requirement
 Housing: Nylon6T UL 94V-0



A、C、D、H、L的尺寸
 可依客户要求订做



1101-427R12XXB2-H-L
 1.27PIN距单塑胶双排弯式排针系列
 1: 表反弯; 2: 表正弯
 A: 两排针排距2.54
 B: 两排针排距1.27
 每排PIN数
 塑高
 总高

TOLERANCE		ANGLE
TOL ON		
XXX =	0.05	
XX =	0.15	1°
X -	0.20	2°
X. =	0.30	

DRAWN	DATE	 武汉宇恒电子有限公司 WUHAN YUHENG ELECTRONIC CO., LTD
LZW	2011.09.07	
CHECKED	DATE	TITLE:
		排针系列-1.27*1.27PIN距-双排单塑胶-弯式
CLIENT APPROVED	DATE	REQ NO
		CLIENT P/N
		UNIT: mm
		SCALE: free
		FILE NO.: YH20120525A004