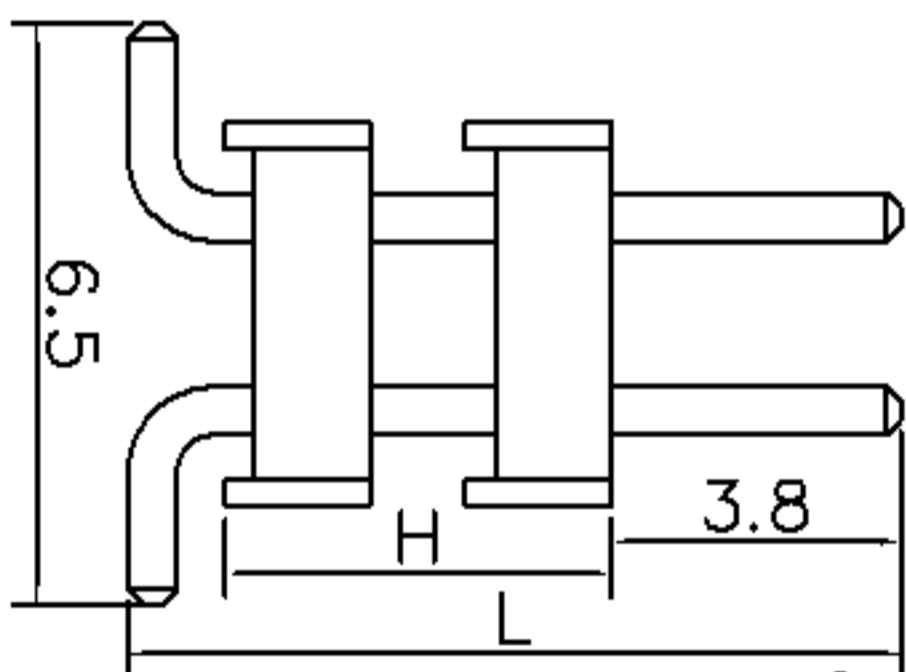
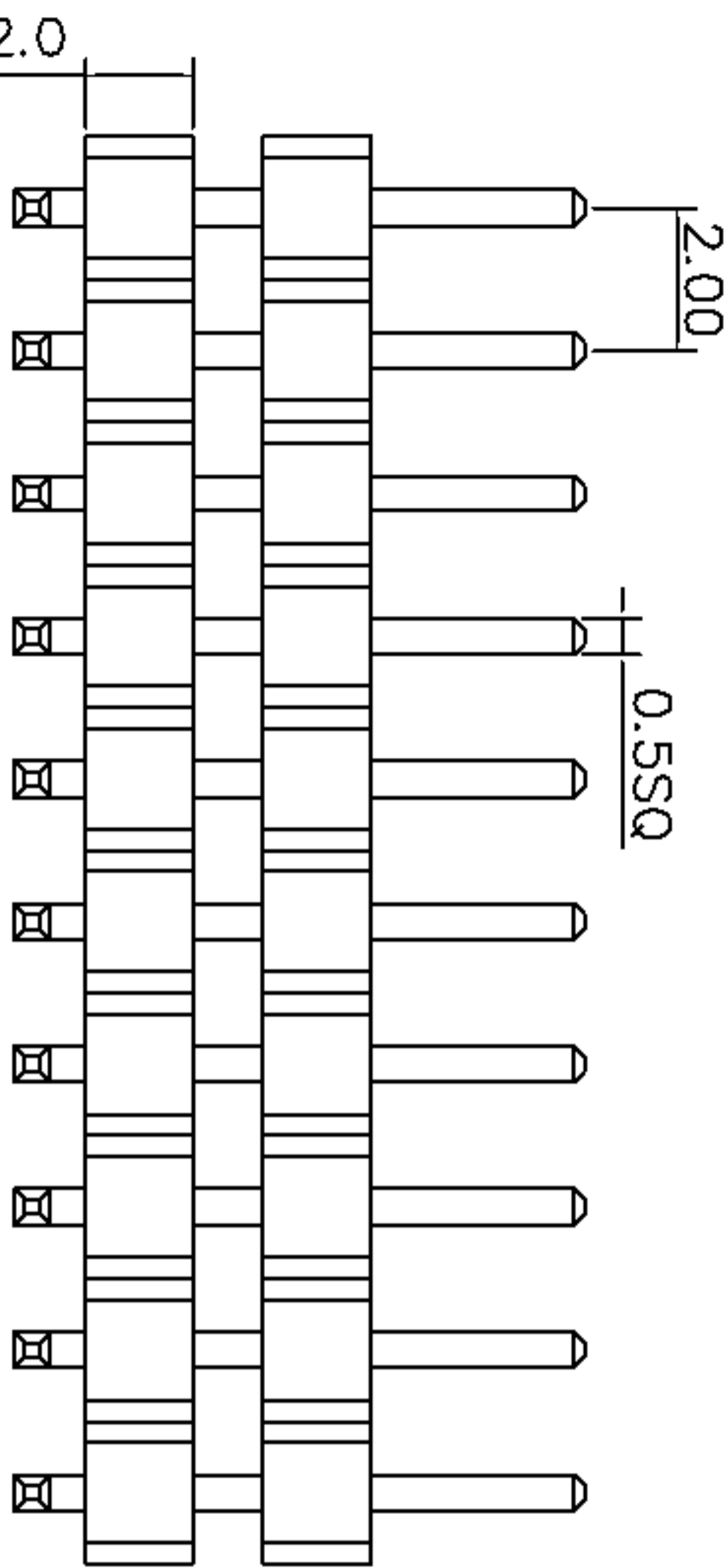


PCB Layout



Technical Data:

Material: Brass
 Contact Material: Brass
 Insulator Material: PA66+30%GF
 Electrical:
 Current rating: 1.5Amps/Contact max.
 Contact resistance: $\leq 20\text{mohms/Contact}$
 Insulation resistance: $\geq 1000\text{Mohms at } V=100\text{V}$
 Withstanding Voltage: 450V AC/Minute
 Mechanical:
 Operating Temperature: Gold plated: $-55^{\circ}\text{C} \sim 105^{\circ}\text{C}$
 Tin plated: $-40^{\circ}\text{C} \sim 105^{\circ}\text{C}$
 Soldering Temperature: $260^{\circ}\text{C } 10\text{s Max.}$

H、L的尺寸
 可依客户要求订做



TOLERANCE		ANGLE	
TOL	ANGLE		
.XXX±	0.05		
.XX ⊥	0.15	1°	
X ±	0.20	2°	
X. ±	0.30		

DRAWN	DATE	CHECKED	DATE	CLIENT APPROVED	DATE
YSH	2012.05.23				

RFQ NO	CLIENT P/N	UNIT	SCALE
		mm	free

FILE NO. : YH20120602A018



武汉宇恒电子有限公司
 WUHAN YUHENG ELECTRONIC CO., LTD

TITLE:
 排针系列-2.00 PIN距-双排-双塑料-立贴型