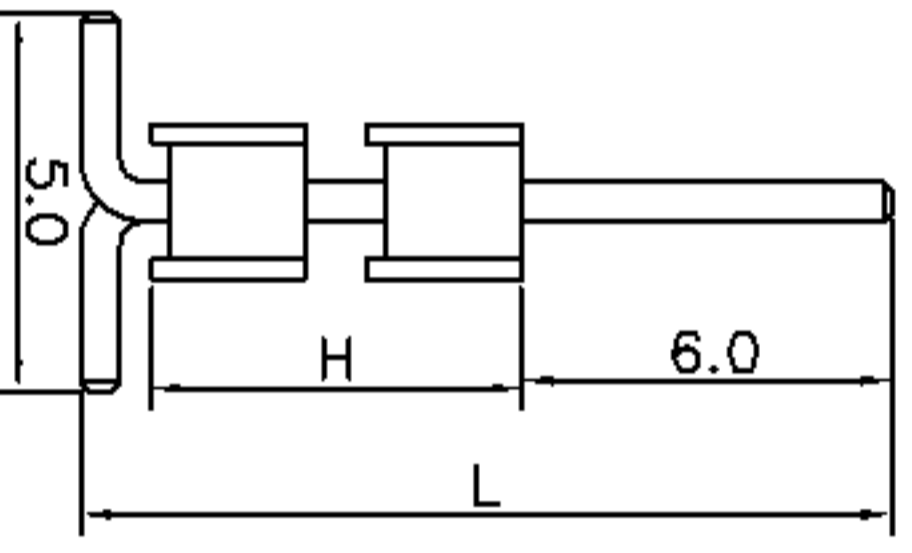
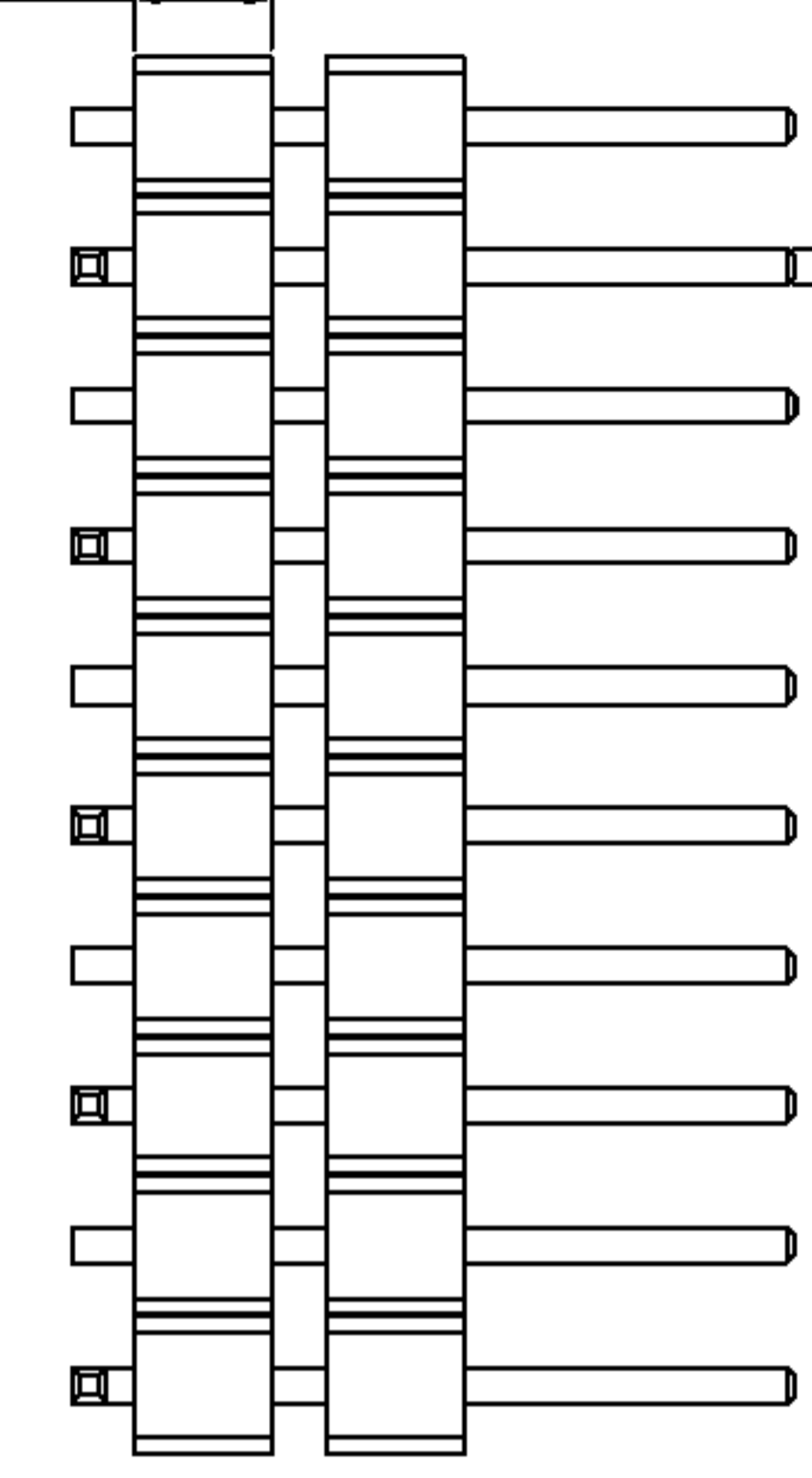
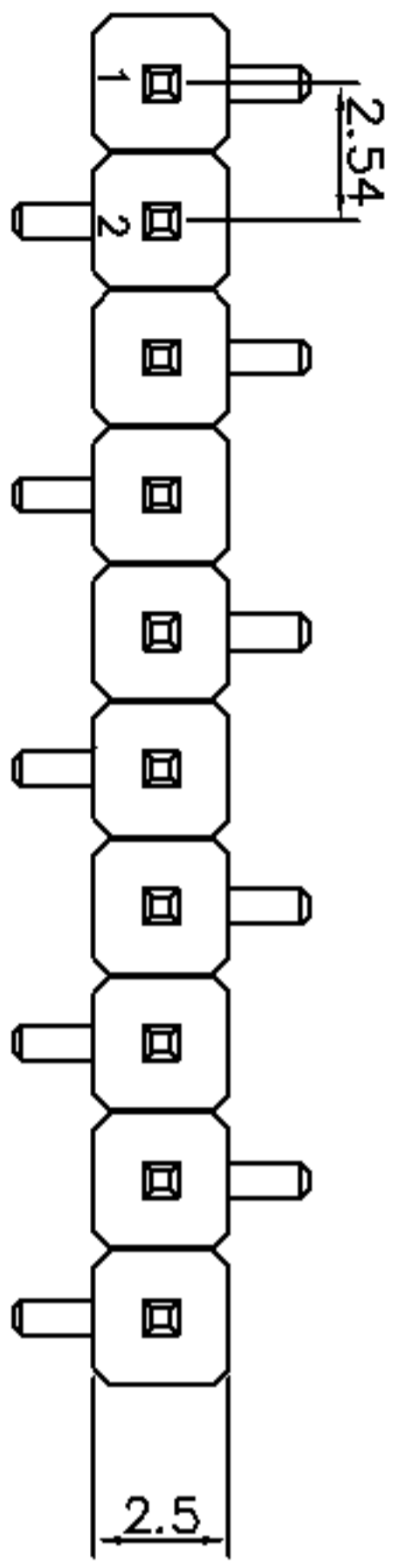
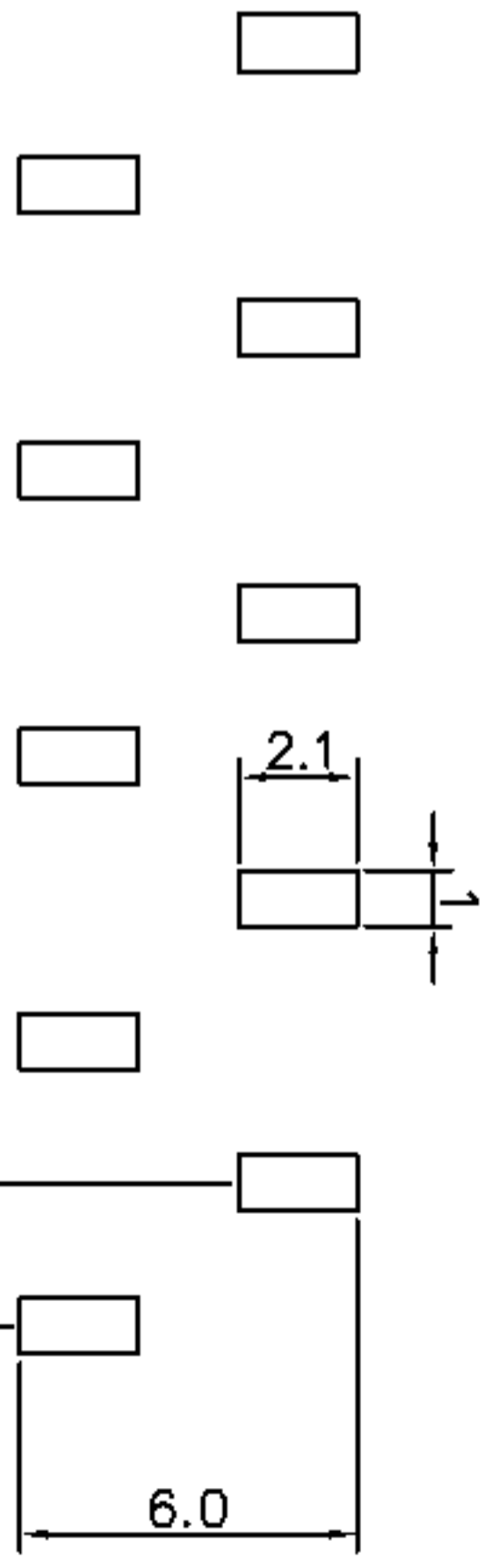


	A			
		新版图	/	2012.05.23



H、L的尺寸可依客户要求订做

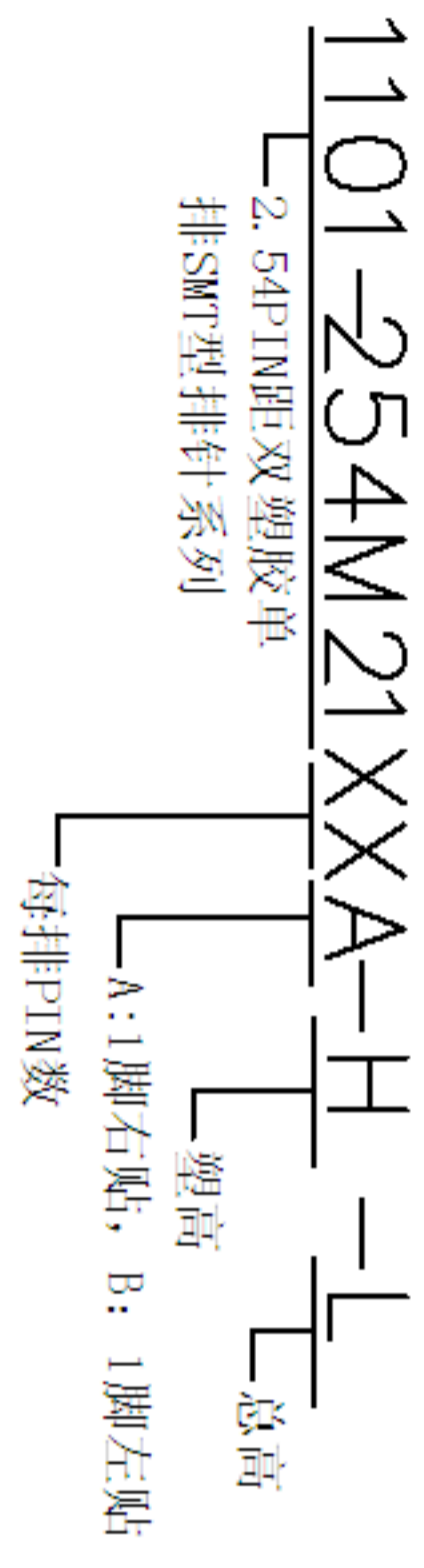


PCB Layout

Technical Data:

Material: Contact Material:Brass
 Insulator Material:PBT+30%GF
 Electrical: Current rating:3Amps/Contact max.
 Contact resistance:<=20mohms/Contact
 Insulation resistance:>=1000Mohms at V=100V
 Withstanding Voltage:550V AC/Minute
 Mechanical: Operating Temperature:Gold plated :-55° C~105° C
 Tin plated :-40° C~105° C
 Soldering Temperature:260° C 10s Max.

1.0/1.5/1.7/2.0/2.5



TOLERANCE		ANGLE	
TOL ON			
.XXX =	0.05		
XX =	0.15	1°	
X -	0.20	2°	
X. =	0.30		

DRAWN	DATE	 武汉宇恒电子有限公司 WUHAN YUHENG ELECTRONIC CO., LTD
YSH	2012.05.23	
CHECKED	DATE	TITLE:
		排针系列-2.54 PIN距-单排-双塑胶贴片型 右1脚
CLIENT APPROVED	DATE	RFQ NO
		CLIENT P/N
		UNIT: mm
		SCALE: free
		FILE NO.: YH20120529A004