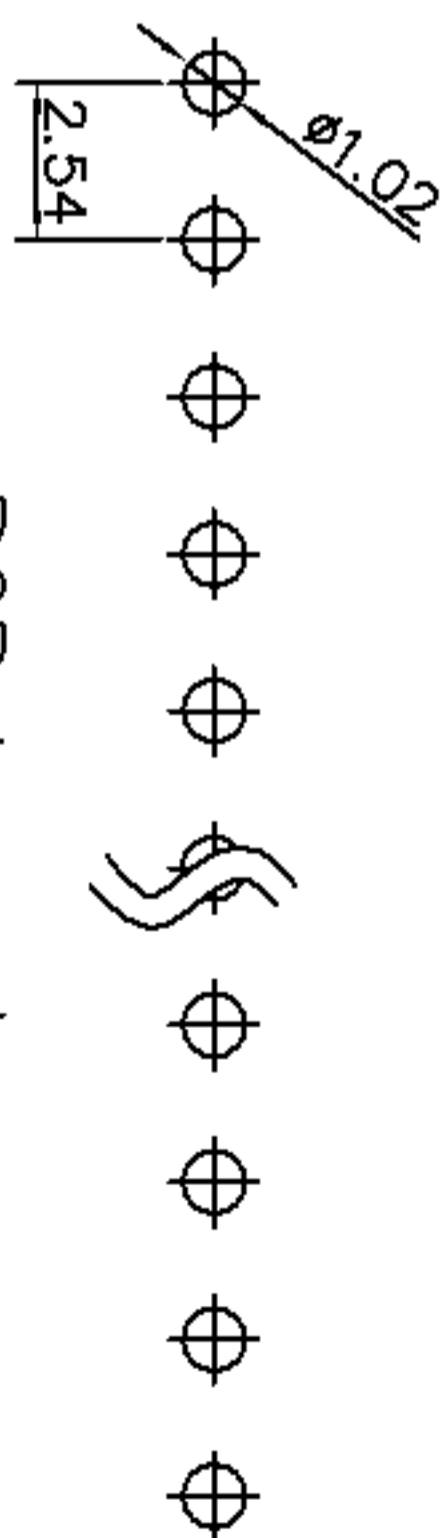
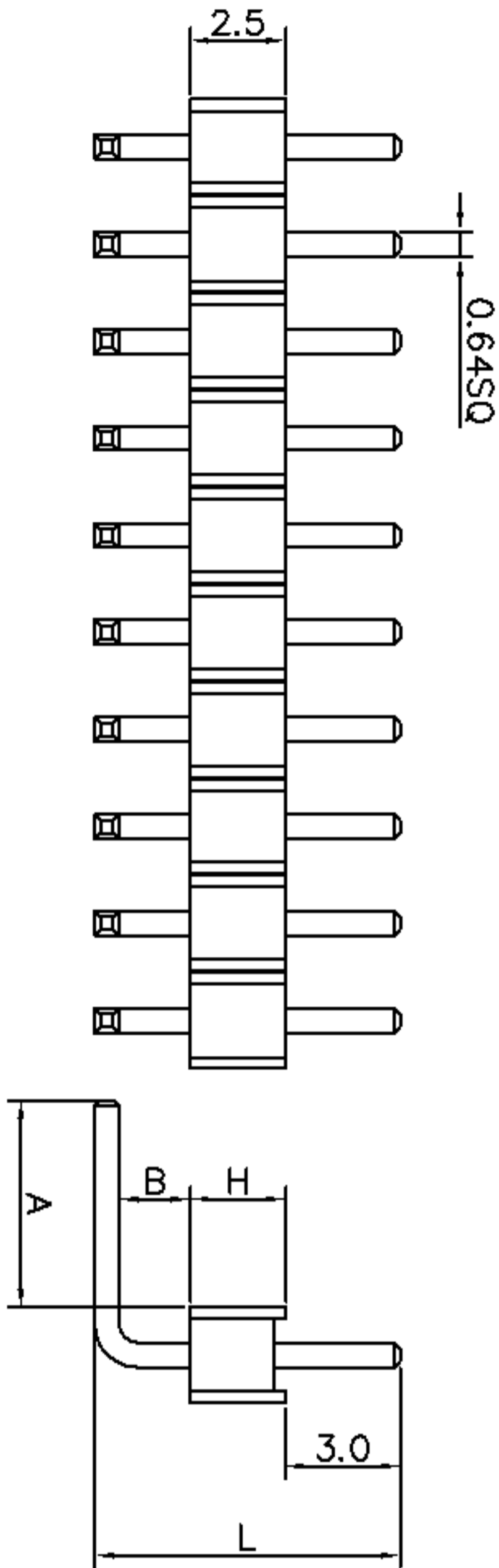
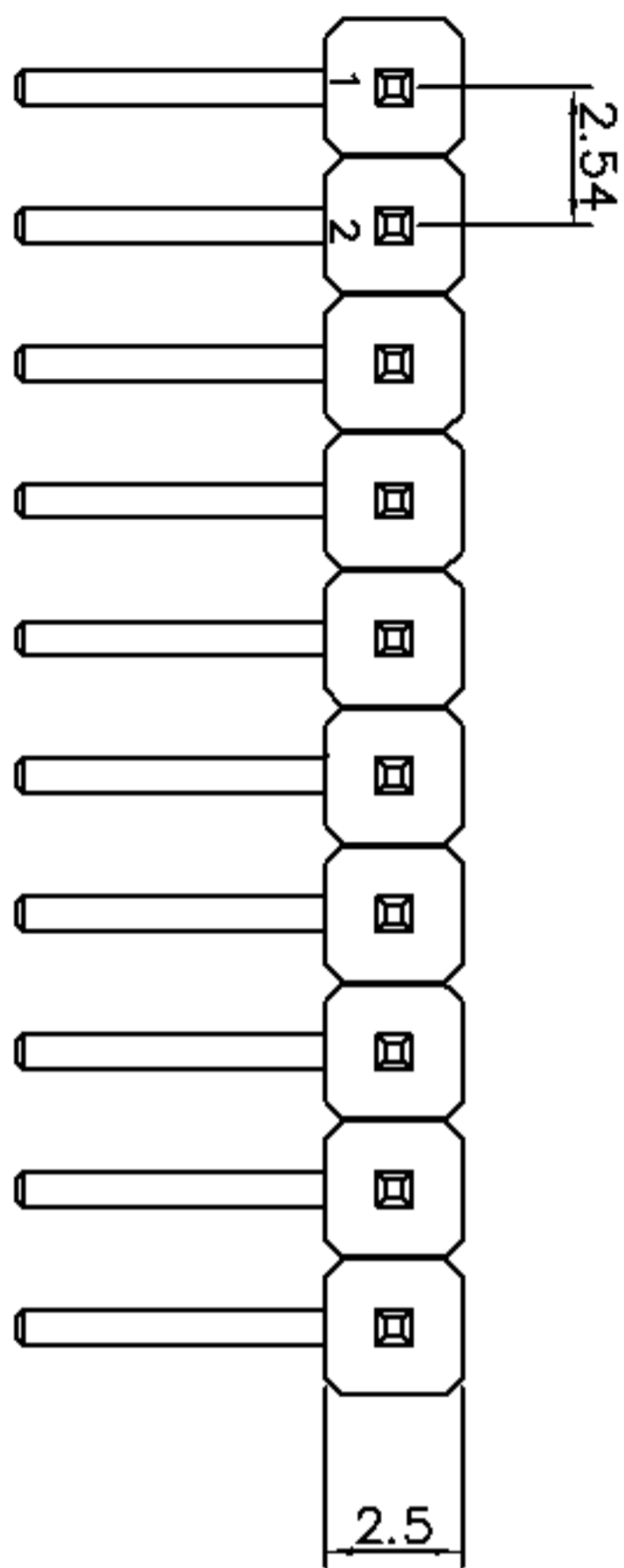


	A			
		新版图	/	2012.05.23
				L2M

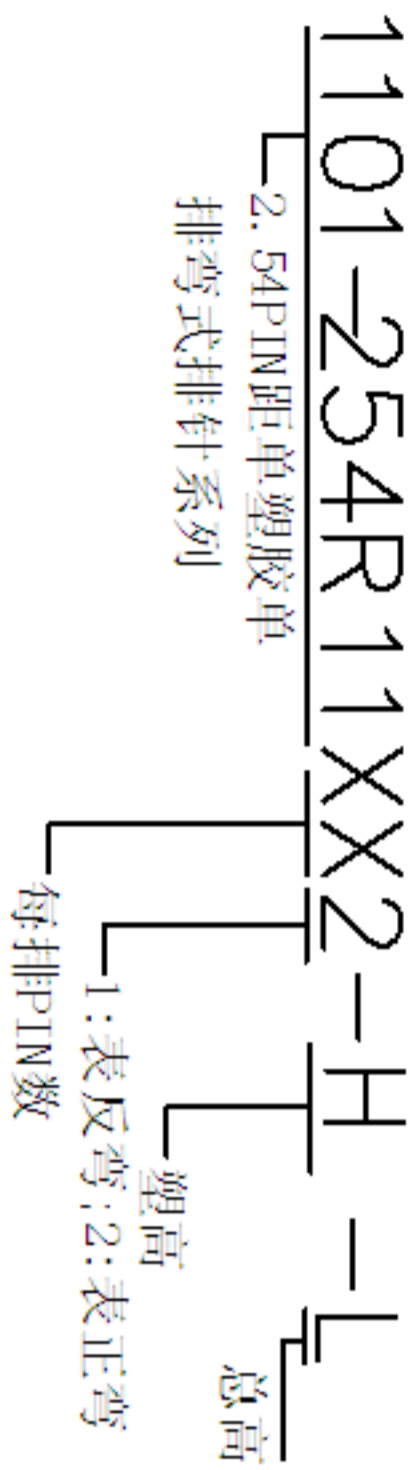


PCB Layout

Technical Data:

Material:
 Contact Material: Brass
 Insulator Material: PBT+30%GF
 Electrical:
 Current rating: 3Amps/Contact max.
 Contact resistance: ≤ 20 ohms/Contact
 Insulation resistance: ≥ 1000 Mohms at $V=100V$
 Withstanding Voltage: 550V AC/Minute
 Mechanical:
 Operating Temperature: Gold plated: $-55^{\circ}C \sim 105^{\circ}C$
 Tin plated: $-40^{\circ}C \sim 105^{\circ}C$
 Soldering Temperature: $260^{\circ}C$ 10s Max.

H、L、A、B的尺寸
 可依据客户要求订做



DRAWN		DATE		 武汉宇恒电子有限公司 WUHAN YUHENG ELECTRONIC CO., LTD
YSH		2012.05.23		
CHECKED		DATE		TITLE:
				排针系列-2.54 PIN距-单排-单塑 胶 正弯
CLIENT APPROVED		DATE		RFQ NO
				CLIENT P/N
				UNIT: mm
				SCALE: free
				FILE NO.: YH20120628A001

TOLERANCE		ANGLE
TOL		
ON		
.XXX =	0.05	
XX =	0.15	1°
X -	0.20	2°
X. =	0.30	