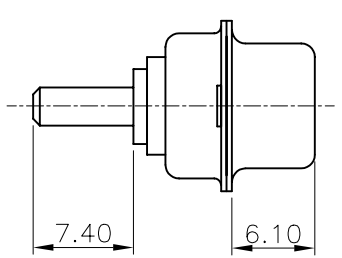
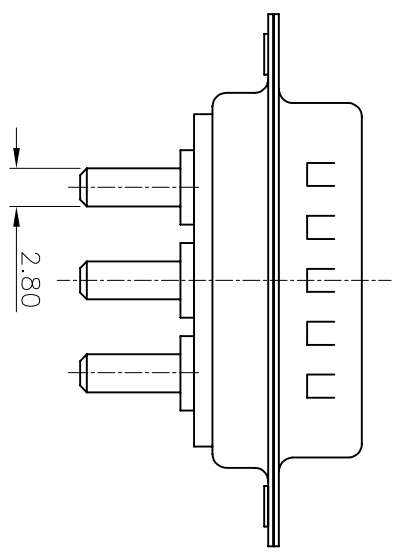
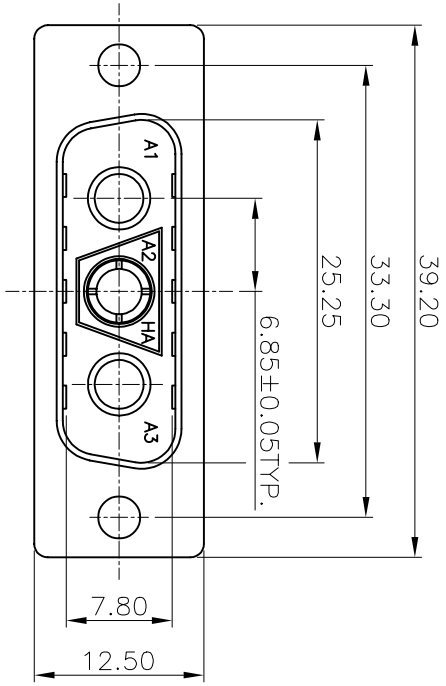


REV	MODIFICATION	DATE	DRAW	APPROVE
A	NEW DWG	2007.07.04	HUANG	KEVIN

NOTES

- 1: MATERIAL: SHELL: STEEL
HOUSING: PBT+30%G.F, BLACK, UL94V-0
CONTACT: BRASS AND PHOSPHOR BRONZE
- 2: FINISH: SHELL: NICKEL PLATING
CONTACT PLATING: GOLD PLATING
- 3: SPECIFICATION:
CURRENT RATING: 40A
VOLTAGE RATING: 300V
CONTACT RESISTANCE: 10mΩ
WITHSTANDING VOLTAGE: 1000V
INSULATION RESISTANCE: 5000MΩ 5
OPERATING TEMPERATURE: -55°C~105°C



-TOLERANCES-		UNLESS OTHERWISE SPECIFIED	
X.X	±0.30	X.X°	±3°
X.XX	±0.15	X.XX°	±1°
X.XXX	±0.10	X.XXX°	±0.5°

		TITLE: 3V3 MALE 插板成品
--	--	----------------------

APPD: KEVIN	PRODUCT NO: 133-003MBXMK02				
CHECK: TENA	DATE	SCALE	UNIT	TYPE	PAGE
DRAW: HUANG	2007.07.04	FRBE	MM	Y	1/1