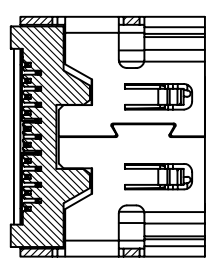
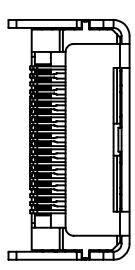
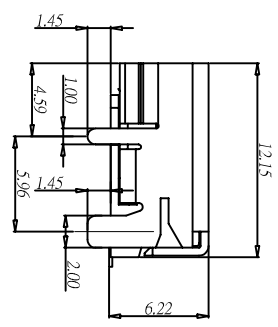
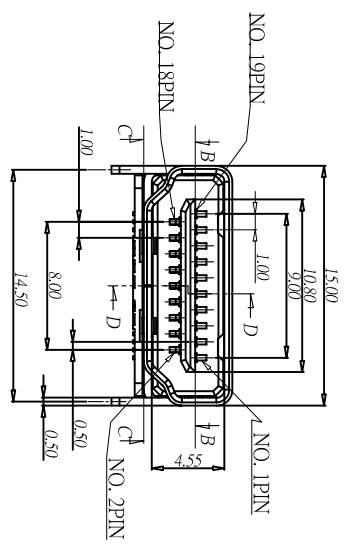


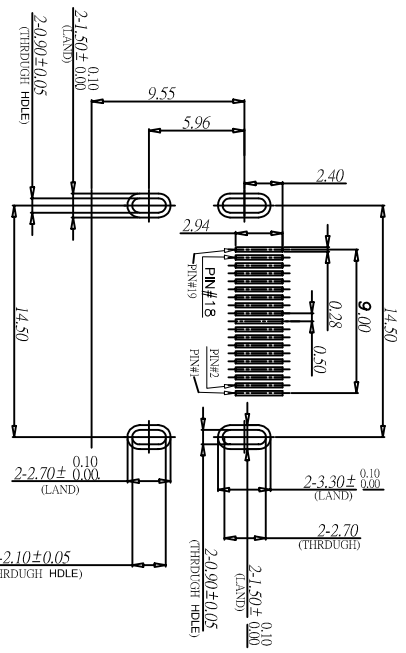
SEC B-B  
SCALE 1:1



SEC C-C  
SCALE 1:1



SEC D-D  
SCALE 1:1



DETAIL A  
SCALE 3:1

RECOMMENDED P.C.B. PATTERN LAYORT(T=1.6±0.1)

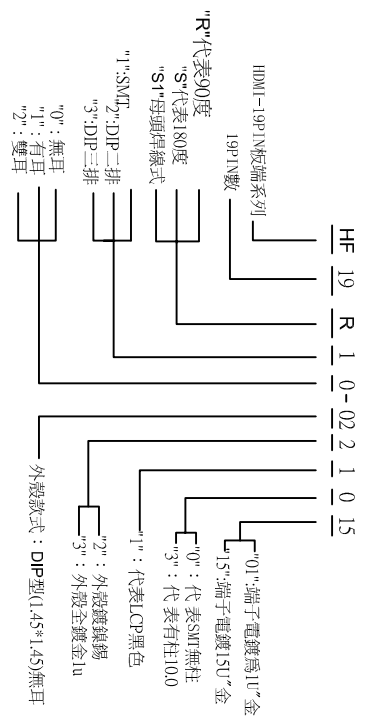
RoHS

REV	DESCRIPTION	MODIFICATION	DATE
A/0	新制定		06.05.08

NOTE:

- MATERIALS AND FINISH
- 1.1 HOUSING&KEY:  
TEMP.PLASTIC,UL 94V-0 RATED.
- 1.2 CONTACTS:  
COPPER ALLOY,  
GOLD ON CONTACT AREA,  
120u" MIN TIN PLATING ON SOLDER TAILS,  
BOTH OVER 50u" MIN NICKEL ALL OVER.
- 1.3 SHIELD:  
COPPER ALLOY,  
PLATING NICKEL 80u" MIN ALL OVER.

2. DIMENSIONS SHALL BE INTERPRETED PER MIL-STD-105E II  
3. PRODUCT CODE:



未標示公差尺寸值		TITLE:		DRAWN BY		DESIGNED BY		APPROVAL BY		DRAW NO		UNIT		mm	
METRIC .0=±0.35 .00=±0.25 .000=±0.15		HDMI板端無耳(1.45*1.45)		聶玉忠						COSI-122					
PRODUCT NO:		FILE NO:		SCALE		REV		A/0		UNIT		mm			
HF19R10-0221015		ZK-3-D-001		1:1		REV		A/0							