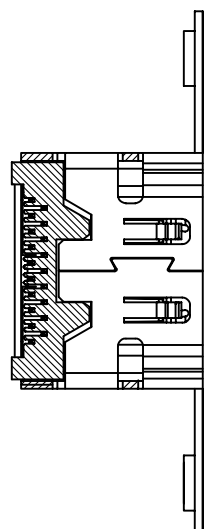
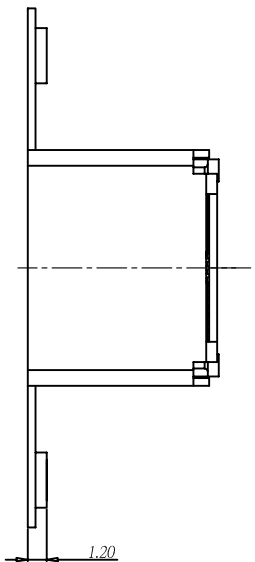
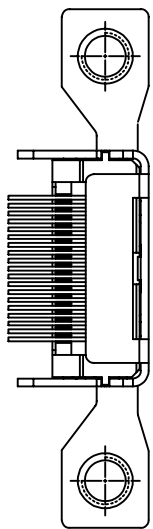
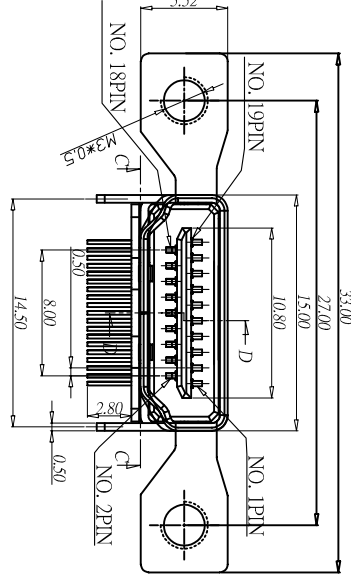


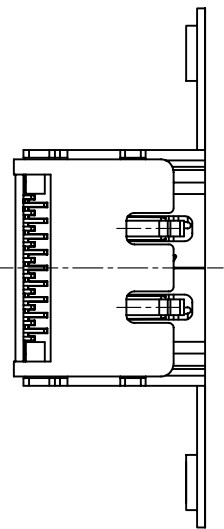
REV	DESCRIPTION	MODIFICATION	DATE
A/0	新制定		06.05.08



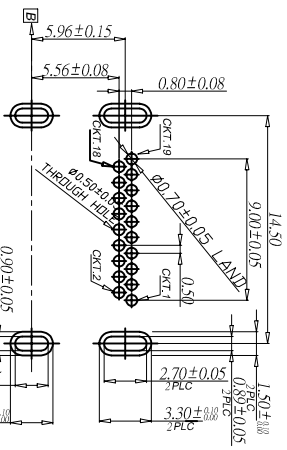
SEC C-C  
SCALE 1:1



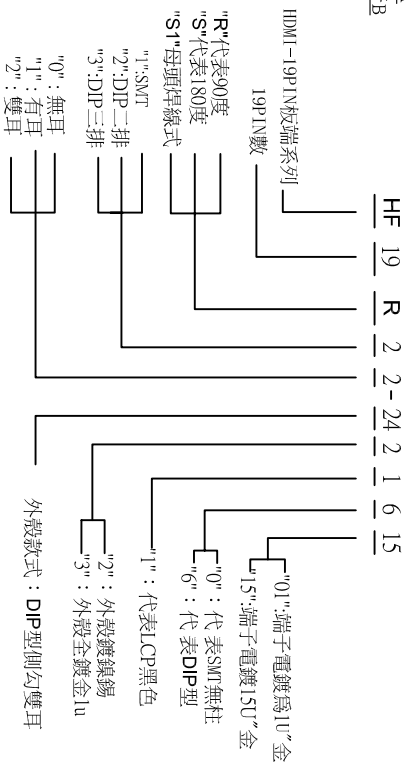
- NOTE:
- MATERIALS AND FINISH
    - HOUSING&KEY: TEMP.PLASTIC,UJ 94V-0 RATED.
    - CONTACTS: COPPER ALLOY. GOLD ON CONTACT AREA, 120" MIN TIN PLATING ON SOLDER TAILS. BOTH OVER 50" MIN NICKEL ALL OVER.
    - SHIELD: COPPER ALLOY.
  - DIMENSIONS SHALL BE INTERPRETED PER MIL-STD-105E II
  - PRODUCT CODE:



DETAIL A  
SCALE 3:1



RECOMMENDED P.C.B. PATTERN LAYOUT (T=1.6±0.15)



未標示公差尺寸值		TITLE:		DRAWN BY		聶玉忠	
METRIC		HDMI板端(雙耳)侧勾DIP二排)		DESIGNED BY			
.0=±0.35		PRODUCT NO:		APPROVAL BY			
.00=±0.25		HF19R22-2421615		DRAW NO		COSI-144	
.000=±0.15		FILE NO:		UNIT		mm	
		ZK-3-D-001		SCALE		1:1	
		SCALE		REV		A/0	