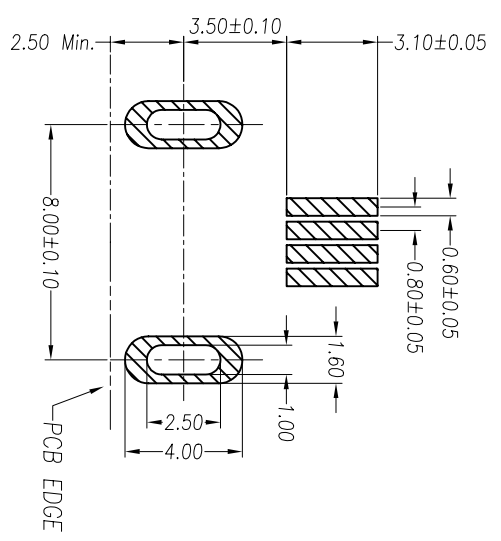
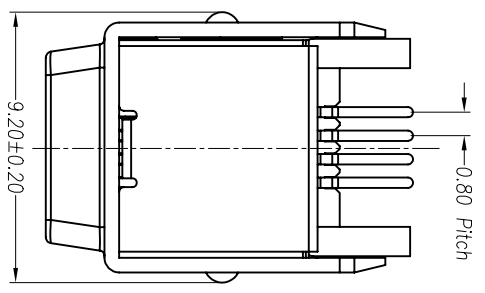
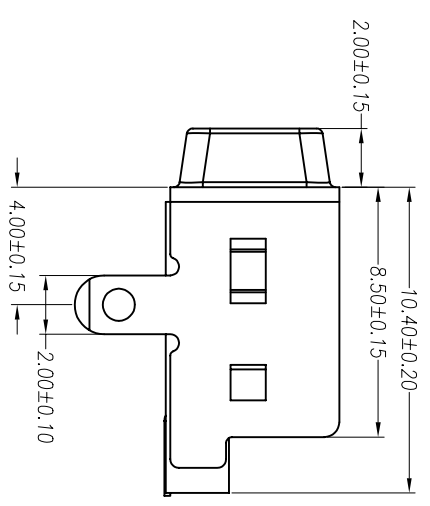
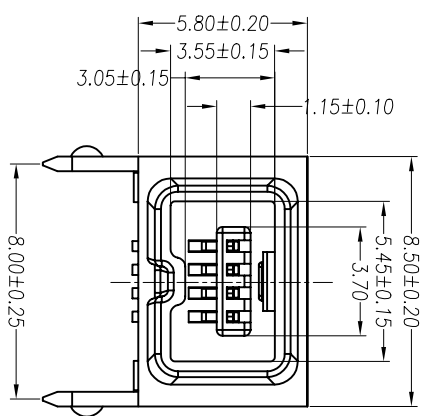


REV.	ECN NO	LOCATIONS	DESCRIPTION	DATE	REVISER	APPD



REFERENCE PCB LAYOUT(T=1.60 OR 1.00)



- Note:
- Material:
 - Insulator: PA6T UL 94-V0 rated.
 - Contact: Phosphor bronze, t=0.20mm.
 - Down Shell: Brass, t=0.50mm
 - UP Shell: SUS, t=0.20mm

- Specification:
 - Current rating: 1 A Max.
 - Dielectric withstanding voltage: 500 V(ac) for 1 minute.
 - Contact resistance: 30 mW Max.
 - Insulation resistance: 1000 MW Min at DC 500V.
 - Total mating force: 3.0 Kgf Max.
 - Total unmating force: 1.0 Kgf Min.
 - Temperature range: -55°C~+105°C

- Finishes:
 - Contacts: Gold flashed 1u", 3u", 5u", 10u", 15u", 30u".
 - Shell: Nickel Plated.

No.	Name	Q'ty	Material	Remarks	Finish
4	Up shell	1	SUS	T=0.20mm	No Finish
3	Down shell	1	Brass	T=0.50mm	Nickel Plated
2	Contact	4	Phosphor bronze	T=0.20mm	Gold Flashed
1	Housing	1	PA6T	UL 94-V0	Black

PART NO:		MATERIAL:	
MODEL NO:		FINISH:	
UNIT: mm		COLOR:	
SIZE: A4		PART NAME:	
TOLERANCE UNSPECIFIED		IEEE 1394-4PIN(F) S.M.T (直脚型兩只腳)	
.x	±0.3	DR: 黃義強	05/06/10
.xx	±0.20	CHK: Song	05/06/10
.xxx	±0.100	APP: Kent	05/06/10
ANG.	±1°	SCALE: 4:1	SHEET: 1 of 1
DWG NO: S/A-338		REV: AO	