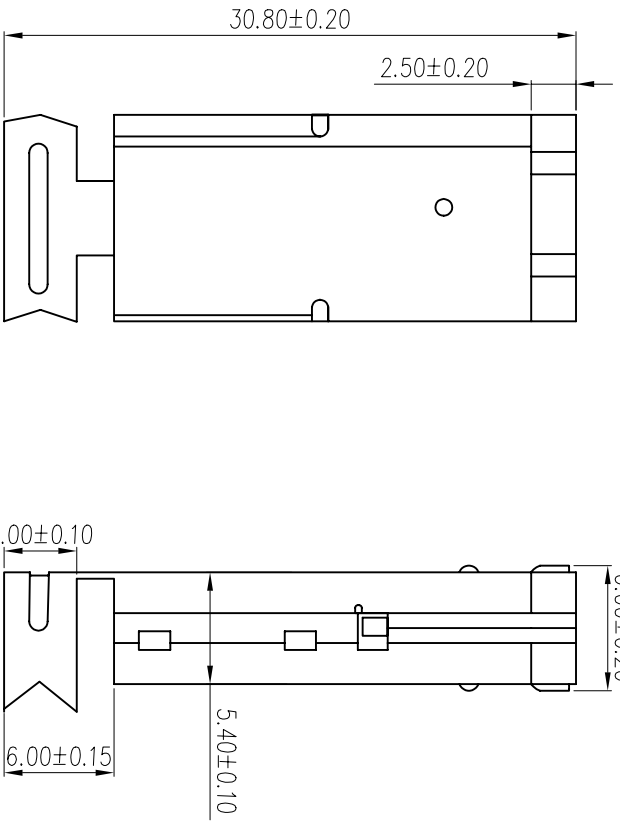
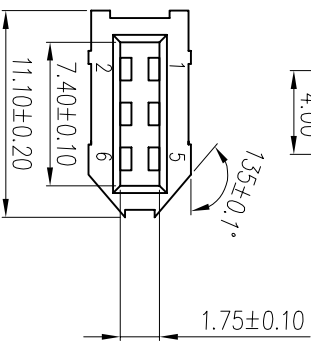
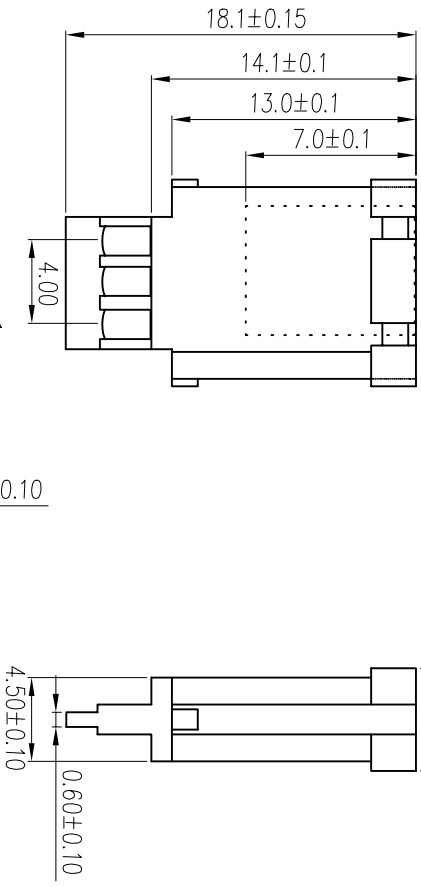


REV.	ECN NO	LOCATIONS	DESCRIPTION	DATE	REVISER	APPD



Note:  
 1. Material:  
 1.1 Insulator: P.B.T UL 94-V0 rated.  
 1.2 Contact: Brass, t=0.25mm.  
 1.3 Shell: Cold rolled steel, t=0.40mm.

2. Specification:  
 2.1 Current rating: 1 A Max.  
 2.2 Dielectric withstanding voltage: 500 V(ac) for 1 minute.  
 2.3 Contact resistance: 30 mΩ Max.  
 2.4 Insulation resistance: 1000 MΩ Min at DC 500V.  
 2.5 Temperature range: -55°C~+105°C

3. Finishes:  
 3.1 Contacts: Gold flashed 1u", 3u", 5u", 10u", 15u", 30u".  
 3.2 Shell: Nickel Plated.

No.	Name	Q'ty	Material	Remarks & Thickness	Finish
4	Down-shell	1	Cild rolled steel	T=0.40mm	Nickel Plated
3	Up-shell	1	Cild rolled steel	T=0.40mm	Nickel Plated
2	Contact	4	Brass	T=0.25mm	Gold Flashed
1	Housing	1	P.B.T	UL 94-V0	Black

PART NO:		MATERIAL:		PART NAME:	
MODEL NO:		FINISH:		IEEE 1394-6PIN(M) MOLDING	
UNIT: mm		COLOR:		DWG NO: S/A-343	
SIZE: A4		DR: 段林麗 06/05/20		SCALE: 3:1	
TOLERANCE UNSPECIFIED		CHK: Kevin 06/05/20		SHEET: 1 of 1	
.x ±0.3		APP: Kent 06/05/20		REV: A0	
.xx ±0.20					
.xxx ±0.100					
AVG. ±.1					