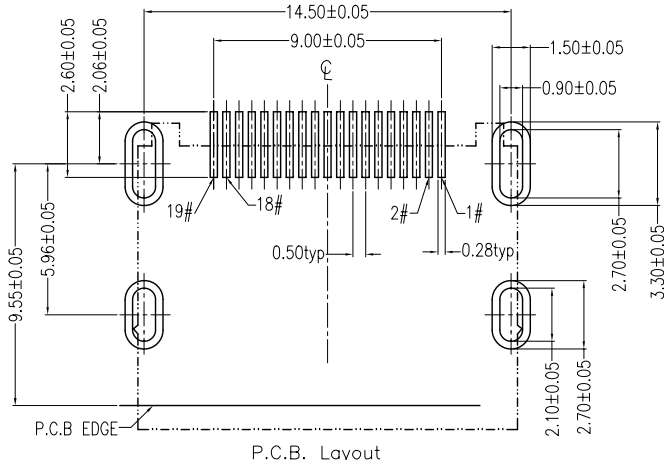
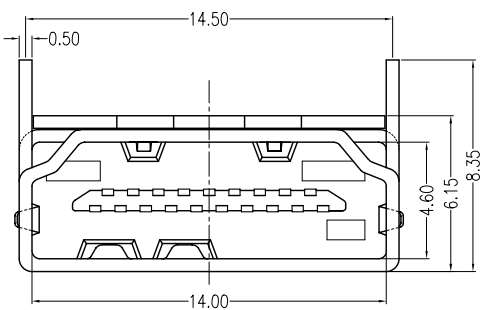
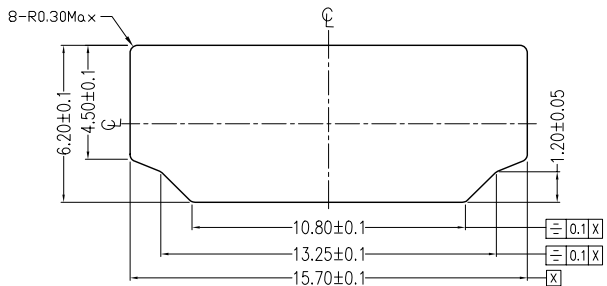


SECT:A-A



P.C.B. Layout



Reference Panel Cut Out Dimension

NOTES:

***Material**

Body: LCP, UL 94V-0 Rated; Color: Black.
 Shield: Brass.
 Plating: Nickel Plating .
 Contact: Brass.
 Plating: Gold Plating Over Nickel on Contact Area;
 Tin Plating On Solder Tail.

***Electrical Specification**

Operation Voltage: 40 VAC max.
 Current Rating: 0.5 Ampere per contact
 Contact Resistance: 30 Milliohms max.
 Insulation Resistance: 2000 Megohms min.
 Dielectric Withstanding Voltage: 500 VAC

***Environmental**

Operating Temperature: -20°C to +85°C

***How To Order**

Series NO. WHDM 19 F 3 L 1 B N 5 U 4
 Number of Contacts 19 F 3 L 1 B N 5 U 4
 Gold A:Flash B:5u"
 C:10u" D:15u" F:30u"
 3: SMT Type
 L: LCP
 1:Black
 W:Winning Mark
 Blank:No Mark
 C:CRE
 4:Ni 5:Pure Dim Tin
 U:Lead Free
 Blank:Sn-Pb
 3:Tray 5:Reel
 N:No Flange
 B:Brass
 P:Phosphor Bronze

REV		Units	mm	Scale	1:1	Drawing By	Data	
Tolerance Unless Otherwise Specified		.X	~	±0.38	Jerry			
		.XX	~	±0.25	Reviewed By			
		.XXX	~	±0.20	Roger			
Angle		~	±	3°	Approval By			
					Tf			
Date	Sheet	1 of 1	Title	High Definition Media Interface				
Third Angle Projection	Drawing No.		19PIN(Shield)SMT Type(No Flange)					
		REV						