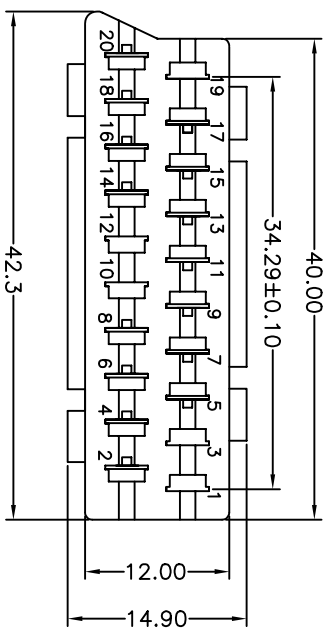
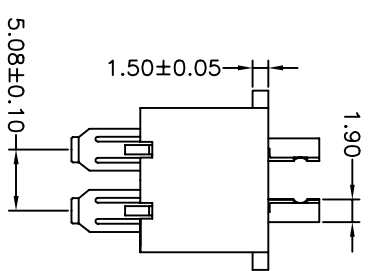
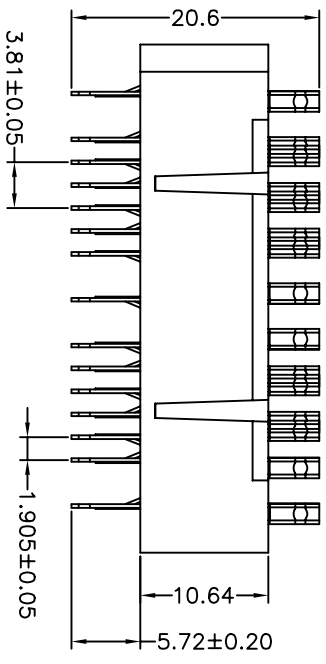
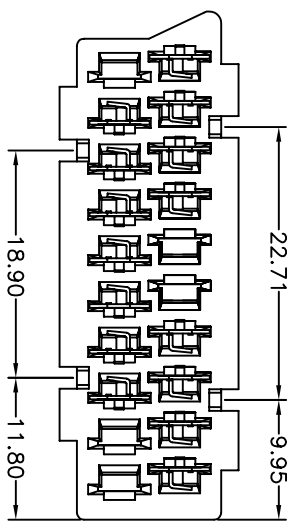


REV.	NOTES	DATE
A	RELEASED	2006/03/20



- NOTES:
- MATERIALS
 - Insulator: P.C. Or PBT
 - Contact: Brass 0.3t. Tin Plated
 - SPECIFICATIONS
 - Current Rating: 3.0Amp
 - Dielectric Strength: 1000V AC for one minute
 - Insulator Resistance: 1000M ohms Min
 - Contact Resistance: 30m ohms Max
 - Operation Temperature: -55°C to +105°C

DIMENSIONS TOLERANCE		單位 (UNITS)		mm	圖名 (NAME) 中心柱 15PIN 鍍錫 PC (插 2, 4~9, 11, 13~18, 20) 無毒
METRIC		數量 (QTY)		N/A	
0 = ±.3		材料 (M'T'L)		SEE NOTE	料號 (PART NUMBER)
.00 = ±.20		處理 (FINISH)		SEE NOTE	圖號 (DRAW NUMBER)
.0000 = ±.XXX		繪圖 (DRAW)			圖檔 (FILE NAME .DWG)
ANG. = ±.5°		設計 (DE'N)			E: GCT/A/SC/01
		審核 (CHK'K)			比例 (SCALE)
		核准 (APP' D)			1/1
					圖紙 (S/DWG)
					A4
					頁次 (SHEET)
					1
					版本 (REV.)
					A