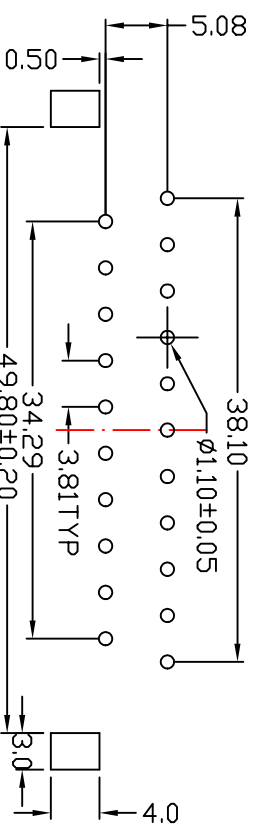
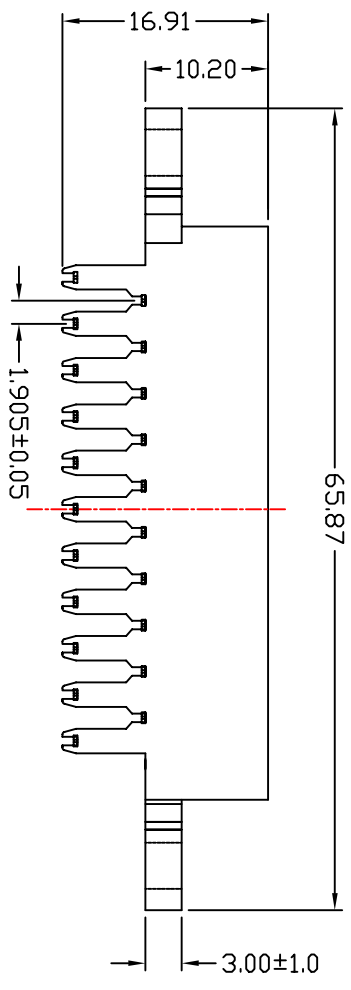
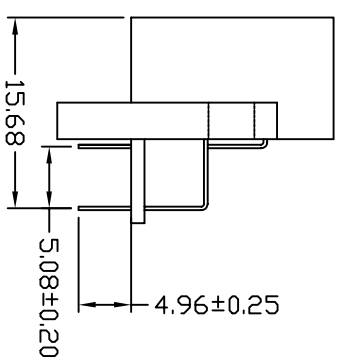
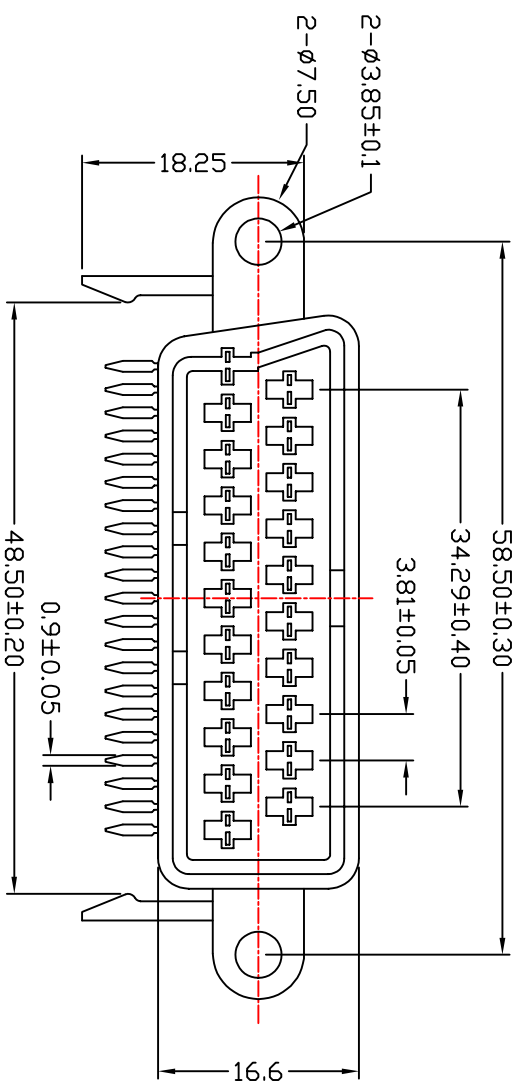


REV.	NOTES	DATE
A	RELEASED	2006/06/10
B	端子阻抗由25Ω代替30Ω	2006/12/08



- NOTES:
- 1.MATERIALS  
 1.1 Insulator:PC  
 1.2 Contact:Brass, 0.3T
- 2.SPECIFICATIONS
- 2.1 Current Rating: 3 Amp  
 2.2 Dielectric Strength:1000V AC for one minute  
 2.3 Insulator Resistance:100M ohms Min  
 2.4 Contact Resistance:25m ohms Max  
 2.5 Operation temperature:-55°C to +105°C  
 2.6 INSERTION FORCE:9.0KG Max  
 2.7 WITHDRAWAL FORCE:1.5KG Min

DIMENSIONS TOLERANCE		圖名 (NAME)	
METRIC		90度母座圓耳鍍(黑色) 無毒	
.0 = ±.3		料號 (PART NUMBER)	ASC+0330-40C
.00 = ±.20		圖號 (DRAW NUMBER)	RASC033040C
.0000 = ±.XXXX		圖檔 (FILE NAME .DWG)	D:\VSR\CPT
ANG = ± 2°		圖名 (NAME)	
單位 (UNITS)	mm	圖號 (DRAW NUMBER)	
數量 (QTY)	N/A	圖檔 (FILE NAME .DWG)	
材料 (MTR'L)	SEE NOTE	圖號 (DRAW NUMBER)	
處理 (FINISH)	SEE NOTE	圖檔 (FILE NAME .DWG)	
繪圖 (DRAW)		圖名 (NAME)	
設計 (DE'N)		料號 (PART NUMBER)	
審核 (CHK)		圖號 (DRAW NUMBER)	
核准 (APP'D)		圖檔 (FILE NAME .DWG)	

