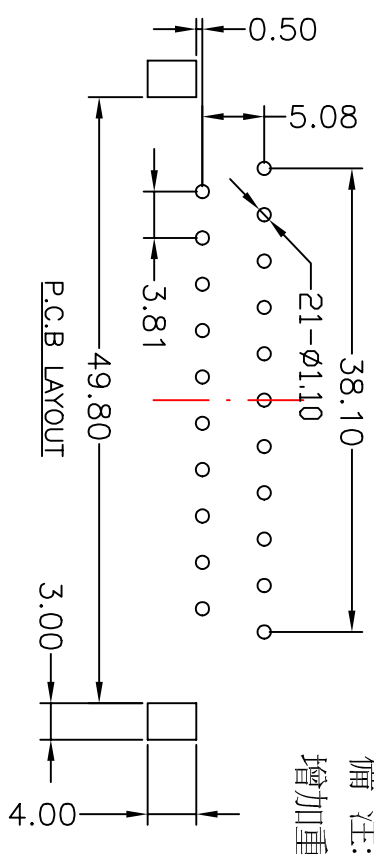
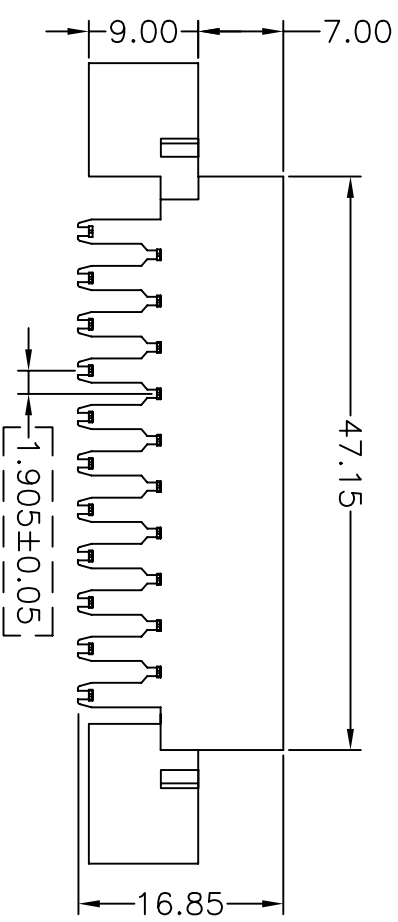
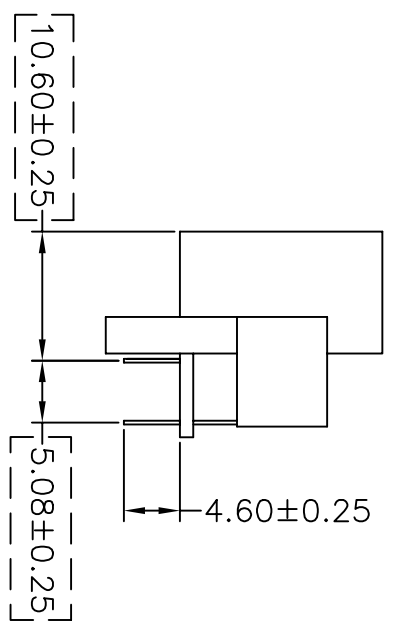
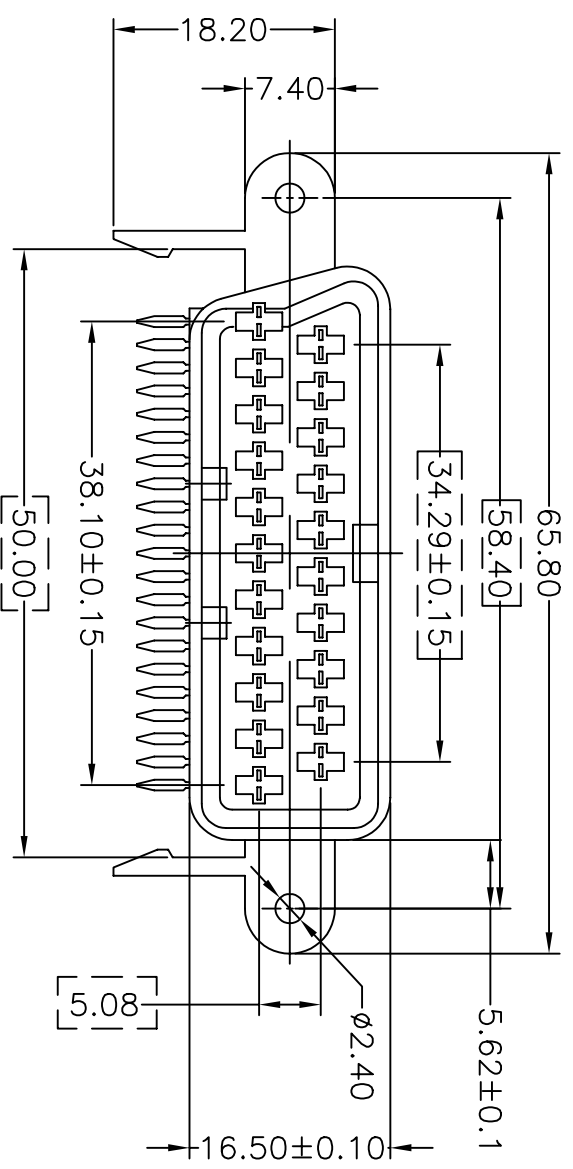


REV.	NOTES	DATE
A	RELEASED	2007/02/26
B	AMEND NOTES	2007/03/08



備注：
增加重點尺寸標示：[XX]

- NOTES:
- MATERIALS
 - Insulator: Pc
 - Contact: Brass
 - Contact Plating: Tin Plated
 - SPECIFICATIONS
 - Current Rating: 3Amp
 - Dielectric Strength: 1000V AC for one minute
 - Insulator Resistance: 1000M Ohms Min. (at 500V DC)
 - Operation Temperature: -55°C ~ +105°C
 - Contact Resistance: 25m Ohms Max

Part No.	Contact Plating	Color
ASC+0330-40C3	Tin Plated	Black

DIMENSIONS TOLERANCE		圖名 (NAME)	
METRIC		90度母座圓耳加高(黑色)	
0 = ±.3		料號 (PART NUMBER)	ASC+0330-40C3
.00 = ±.20		圖號 (DRAW NUMBER)	RASC033040C3
.0000 = ±.XXX		圖檔 (FILE NAME .DWG)	E:/GCT/A/SC
ANG. = ±2°		比例 (SCALE)	1/1
		圖紙 (SHEET)	A4
		頁次 (SHEET)	1
		版本 (REV.)	B
單位 (UNITS)	mm	繪圖 (DRAW)	
數量 (QTY)	N/A	設計 (DE'N)	
材料 (M'T'L)	SEE NOTE	審核 (CH'K)	
處理 (FINISH)	SEE NOTE	核准 (APP' D)	