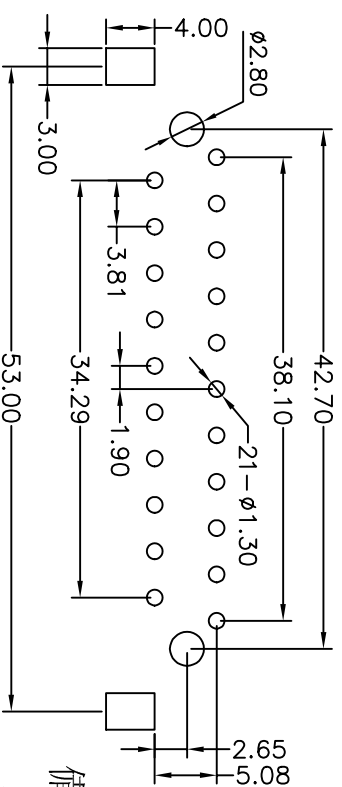
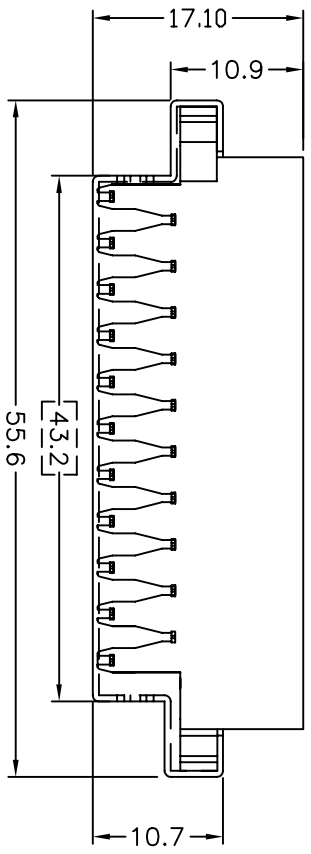
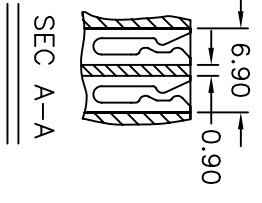
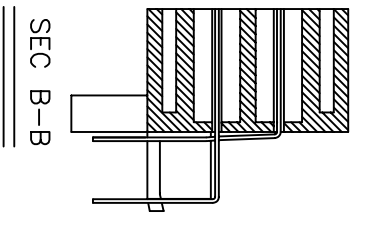
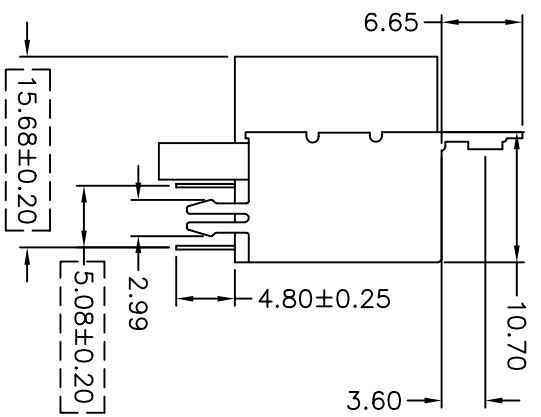
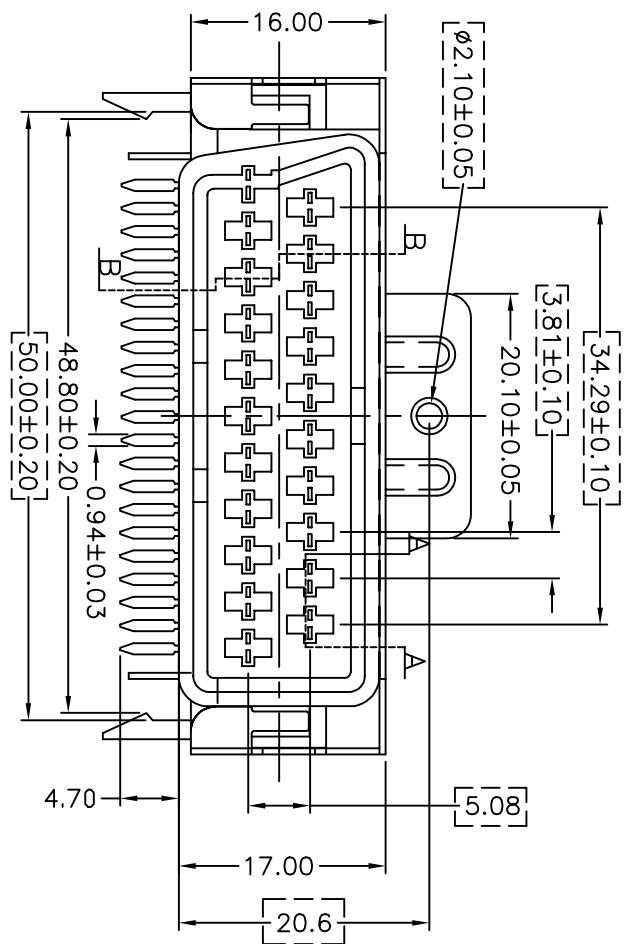


REV.	NOTES	DATE
A	RELEASED	2007/03/08



備注:
重點尺寸標示 [X]

PART No.	Insulator	material
ASC+0350-40C1	Black	PC
ASC+0350-40B2	Black	PBT

- NOTES:
1. MATERIALS
- 1.1 Insulator: Pc or PBT
 - 1.2 Contact: Brass 0.2T
 - 1.3 Material sheel: SPCC 0.5T
 - 1.4 Contact Plating: TIN Plated
2. SPECIFICATIONS
- 2.1 Current Rating: 5Amp
 - 2.2 Dielectric Strength: 1000V AC for one minute
 - 2.3 Insulator Resistance: 5000M Ohms Min.(at 500V DC)
 - 2.4 Operation Temperature: -55°C to +105°C

DIMENSIONS TOLERANCE		繪圖 (DRAW)		圖名 (NAME)	
METRIC		單位 (UNITS)	mm	90度母座有柱有孔錫 PC加鐵殼(有凸)	
0 = ±.3		數量 (QTY)	N/A	料號 (PART NUMBER)	ASC+0350-40C1
.00 = ±.15		材料 (M'T'L)	SEE NOTE	圖號 (DRAW NUMBER)	RASC035040C1
.0000 = ±.XXX		處理 (FINISH)	SEE NOTE	圖檔 (FILE NAME .DWG)	E:GCT/A/SC/03
ANG = ±2°		核准 (APP' D)		比例 (SCALE)	1/1
				圖紙 (SHEET)	A4
				頁次 (SHEET)	1
				版本 (REV.)	A

RECOMMEND P.C. BOARD LAYOUT