

P.C.B LAYOUT (15Pins)

P.C.B LAYOUT(26,44,62Pins)

No. of Contact	A ±0.25 ±.010	B ±0.13 ±.005	C ±0.38 ±.015	D ±0.25 ±.001
15	16.92 .666	24.99 .984	30.81 1.213	19.28 .759
26	25.25 .994	33.32 1.312	39.14 1.541	27.51 1.083
44	38.96 1.534	47.04 1.852	53.04 2.088	41.28 1.625
62	55.42 2.182	63.50 2.500	69.32 2.729	57.71 2.272

POSITION	E	F	G
15M/F	2.29	7.04	1.145
26M/F	2.29	6.88	1.145
44M/F	2.29	6.88	1.145
62M/F	2.41	7.00	1.205

MATERIALS AND FINISH

SHELL : STEEL MATERIAL, NICKEL FINISHED
 DIMPLES ON PLUG ONLY
 INSULATOR : PBT THERMOPLASTIC, 30% GLASS FILLED, UL 94V-0 RATED, BLACK COLOR
 CONTACT MATERIAL: BRASS
 CONTACT FINISH : Full GOLD FLASH
 GROUNDING BRACKET : BRASS MATERIAL, TIN FINISHED
 RIVETED INSERT : BRASS MATERIAL , NICKEL FINISHED

ELECTRICAL CHARACTERISTICS

CONTACT CURRENT RATING : 5.0 AMPS
 CONTACT RESISTANCE : 30 MILLIOHMS MAX.
 DIELECTRIC WITHSTANDING VOLTAGE : 1000 V AC MIN.
 INSULATION RESISTANCE : 5000 MEGAOHMS MIN.
 TEMPERATURE RATING : -55°C ~ +105°C

1158-0XX-100-006

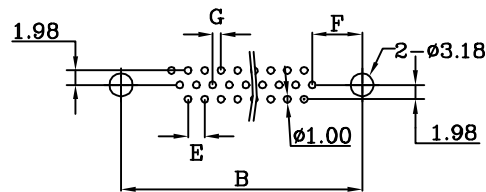
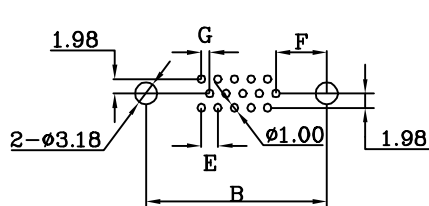
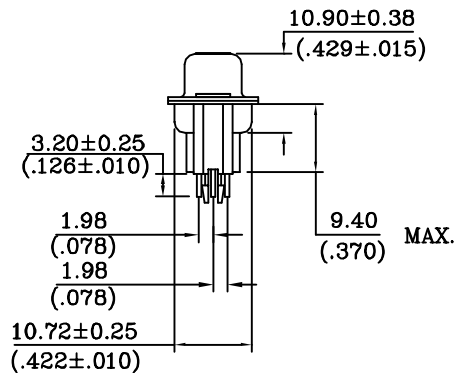
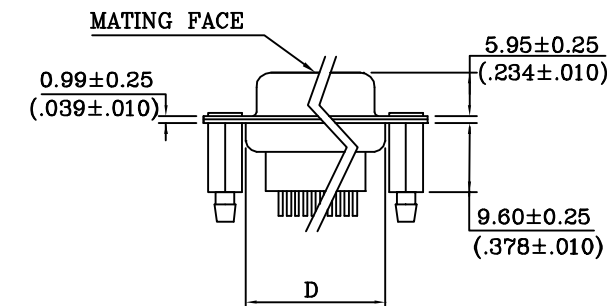
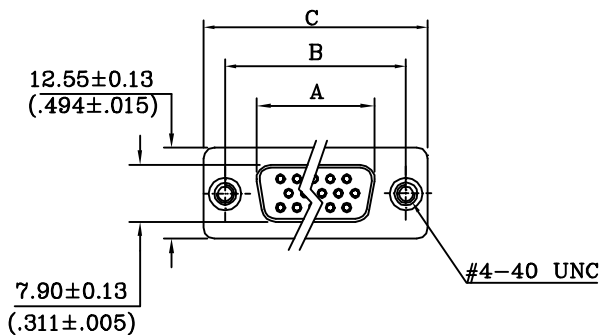
- Series No
 No of Contacts
 15: 15 Pins
 26: 26 Pins
 44: 44 Pins
 62: 62 Pins
 Contact Type
 1: Plug, Brass
 2: Socket, Brass
 Contact Plating
 00: Full gold flash

- Options
 00: With 0.120" diameter holes
 01: With #4-40 Threaded Rivets Clinch Nuts on Back Shell
 03: With #4-40 Threaded Rivets Boardlocks(Height=9.6mm)
 04: With #4-40 Threaded Rivets Boardlocks(Height=11.0mm)
 10: With #4-40 Threaded Rivets Clinch Nuts on Front Shell
 13: With #4-40 Threaded Rivets Boardlocks(Height=9.6mm) & Jack Screws assembled
 14: With #4-40 Threaded Rivets Boardlocks(Height=11.0mm) & Jack Screws assembled

- Insulator
 0: Black
 1: White

	Drawn by	Zhenxing Fu	2004.06.24
	Designed by	Zhenxing Fu	2004.06.24
	Approved by	Wangjun	2004.06.24
		TORERANCE	Code:000
		.XX ±0.13	Scale 1:1
		Units:mm(inches)	Angles+ \ -2°
Ver NO	Revisions	CHK	Rev Date
			SHEET 1 OF 1

D-sub Connector, HD15P, High profile Dip type Machine Pin Straight	
Ver A0	Part No. 1158-0XX-100-006



P.C.B LAYOUT (15Pins)

P.C.B LAYOUT(26,44,62Pins)

MATERIALS AND FINISH

SHELL : STEEL MATERIAL, NICKEL FINISHED
 DIMPLES ON PLUG ONLY
 INSULATOR : PBT THERMOPLASTIC, 30% GLASS
 FILLED, UL 94V-0 RATED, BLACK COLOR
 CONTACT MATERIAL: BRASS
 CONTACT FINISH : Full GOLD FLASH
 GROUNDING BRACKET : BRASS MATERIAL, TIN FINISHED
 RIVETED INSERT : BRASS MATERIAL , NICKEL FINISHED

ELECTRICAL CHARACTERISTICS

CONTACT CURRENT RATING : 5.0 AMPS
 CONTACT RESISTANCE : 30 MILLIOHMS MAX.
 DIELECTRIC WITHSTANDING VOLTAGE : 1000 V AC MIN.
 INSULATION RESISTANCE : 5000 MEGAOHMS MIN.
 TEMPERATURE RATING : -55°C ~ +105°C

Series No 1158-0XX-200-003

No of Contacts
 15: 15 Pins
 26: 26 Pins
 44: 44 Pins
 62: 62 Pins

Contact Type
 1: Plug, Brass
 2: Socket, Brass

Contact Plating
 00: Full gold flash

Options
 00: With 0.120" diameter holes
 01: With #4-40 Threaded Rivets
 Clinch Nuts on Back Shell
 03: With #4-40 Threaded Rivets
 Boardlocks(Height=9.6mm)
 04: With #4-40 Threaded Rivets
 Boardlocks(Height=11.0mm)
 10: With #4-40 Threaded Rivets
 Clinch Nuts on Front Shell
 13: With #4-40 Threaded Rivets
 Boardlocks(Height=9.6mm) &
 Jack Screws assembled
 14: With #4-40 Threaded Rivets
 Boardlocks(Height=11.0mm) &
 Jack Screws assembled

Insulator
 0: Black
 1: White

POSITION	E	F	G
15M/F	2.29	7.04	1.145
26M/F	2.29	6.88	1.145
44M/F	2.29	6.88	1.145
62M/F	2.41	7.00	1.205

No. of Contact	A ±0.25 ±.010	B ±0.13 ±.005	C ±0.38 ±.015	D ±0.25 ±.001
15	16.33 .643	24.99 .984	30.81 1.213	19.28 .759
26	24.66 .971	33.32 1.312	39.14 1.541	27.51 1.083
44	38.38 1.511	47.04 1.852	53.04 2.088	41.28 1.625
62	54.84 2.159	63.50 2.500	69.32 2.729	57.71 2.272

Drawn by	Zhenxing Fu	2004.06.24
Designed by	Zhenxing Fu	2004.06.24
Approved by	Wangjun	2004.06.24
AO	Drawing	Zhenxing FU 2004.06.24
Ver NO	Revisions	CHK Rev Date

Units:mm(inches)	TORERANCE	Code:000
.XX ±0.13		Scale 1:1
		Angles+/-2°

D-sub Connector, HD15S, High profile Dip type Machine Pin Straight	
Ver AO	Part No. 1158-0XX-200-003