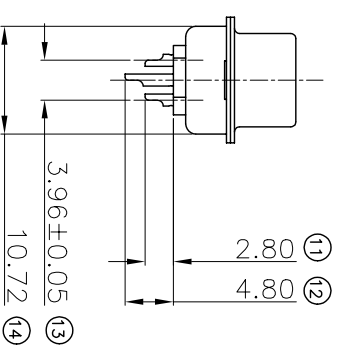
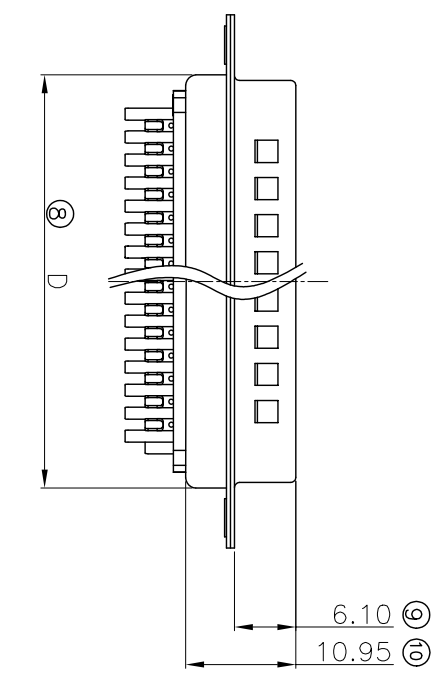
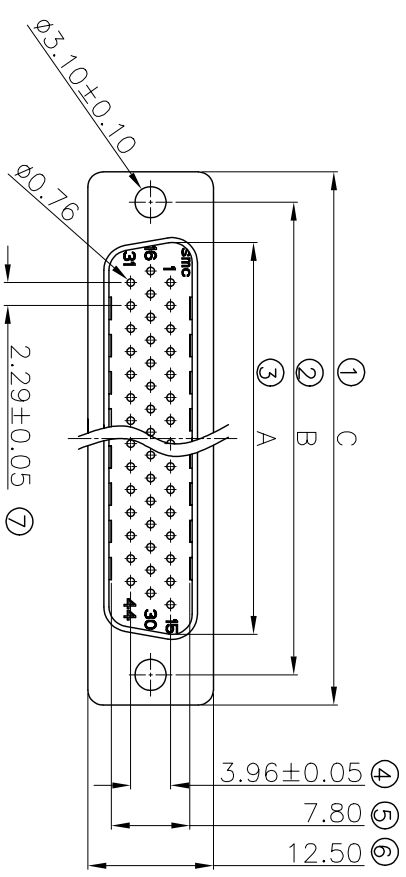


REV	MODIFICATION	DATE	DRAW	APPROVE
A	NEW DWG	07/06/13	HUANG	KEVIN

NOTES
 MARK⊗ IS MAJOR TEST DIMENSION
 1: MATERIAL:
 HOUSING: PBT+30%G.F, BLACK, UL94V-0
 CONTACT: BRASS/PHOSPHOR BRONZE
 2: FINISH:
 CONTACT PLATING: 100μ" TIN-LEAD OVER
 50μ" NICKEL.
 3: SPECIFICATION:
 CURRENT RATING: 5A
 WITHSTANDING VOLTAGE: AC 1000V 1MINUTE
 INSULATION RESISTANCE: 1000MΩ 500V DC
 OPERATING TEMPERATURE: -55°C~105°C



PIN NO.	A	B	C	D	P/N
15P	16.92	24.99	30.80	19.20	153-015MBXPK01
26P	25.25	33.30	39.20	27.70	153-026MBXPK01
44P	38.96	47.04	53.05	41.10	153-044MBXPK01
62P	55.42	63.50	69.40	57.30	153-062MBXPK01

UNLESS OTHERWISE SPECIFIED
 公差參考表



TITLE:
 產品名稱 :DB 0.76 MALE 成品

APPD: KEVIN
 核准: KEVIN
 CHECK: TENA
 校對: TENA

PRODUCT NO:
 產品編號: 153-XXXXMBXPK01

X.X ±0.25 X.X° ±3°
 X.XX ±0.15 X.XX° ±1°
 X.XXX ±0.05 X.XXX° ±0.5°

DATE: 2007.06.13
 SCALE: FREE UNIT: MM TYPE: H PAGE: 1/2

DRAW: HUANG
 繪圖: HUANG

A	B	C	D	E	F	G	1	2	3	4	5	6	7	8	9	10
---	---	---	---	---	---	---	---	---	---	---	---	---	---	---	---	----