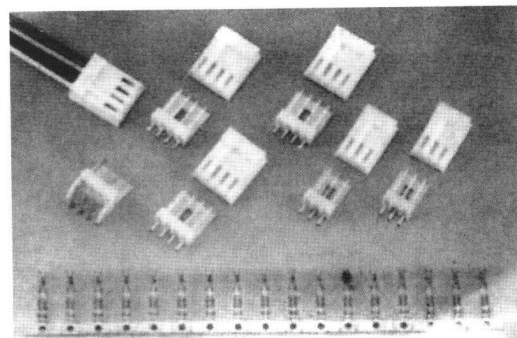


0.100" (2.54 mm) Pitch Crimp Connectors

1116 Series

SPECIFICATION

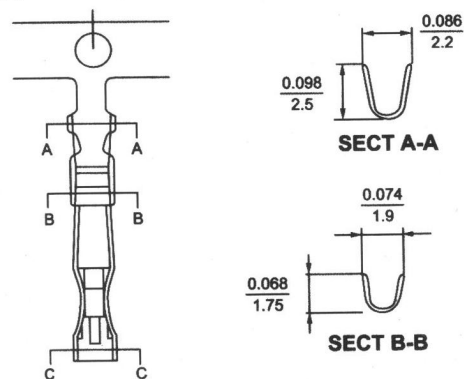
Voltage rating: AC,DC 250V
 Current rating: AC,DC,3A
 Withstand voltage:1000V AC/min.
 Insulation resistance:1000M Ω /min.
 Temperature range:-25 $^{\circ}$ C~ +85 $^{\circ}$ C
 Applicable PC board thickness:0.063" (1.6mm)
 Contact resistance:Initial value/10m Ω max.
 After environmental testing/20m Ω max.



TERMINAL

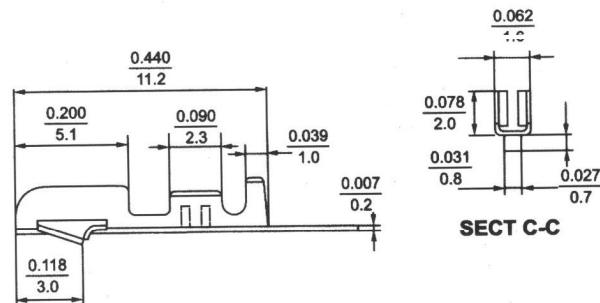
Part No:1116T
 Applicable wires:AWG#22-26
 Material:Brass
 Finish:Tin/plated
 Hardness:H
 Thickness:0.2mm

TERMINAL 1116T



HOUSING

Part No:1116H
 Poles:Available in 2-12 circuits
 Material:Nylon 66,UL 94V-0

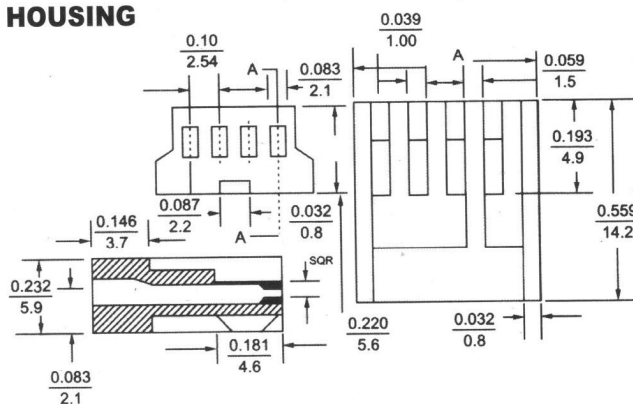


WAFER

Part No:1116S(180 $^{\circ}$), 1116R(90 $^{\circ}$)
 Poles:Available in 2-12 circuits
 Firction lock
 Material: Post:Brass,Tin/plated
 Base:Nylon 66, UL 94V-2

Dimension: $\frac{\text{Inch}}{\text{mm}}$

HOUSING

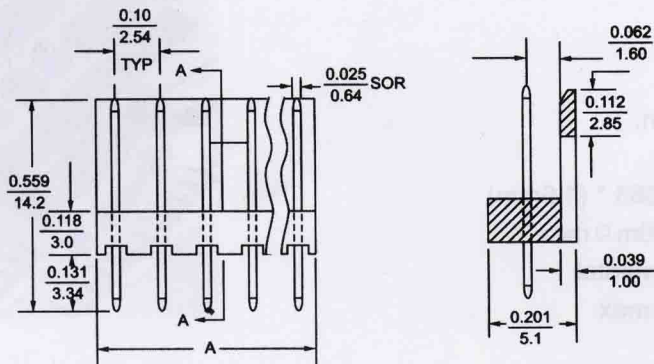


POLES	PART NO.	Dimension in.(mm)
2	1116H-2P	0.287(7.3)
3	1116H-3P	0.386(9.8)
4	1116H-4P	0.484(12.3)
5	1116H-5P	0.583(14.8)
6	1116H-6P	0.681(17.3)
7	1116H-7P	0.780(19.8)
8	1116H-8P	0.878(22.3)
9	1116H-9P	0.976(24.8)
10	1116H-10P	1.075(27.3)
11	1116H-11P	1.173(29.8)
12	1116H-12P	1.272(32.3)

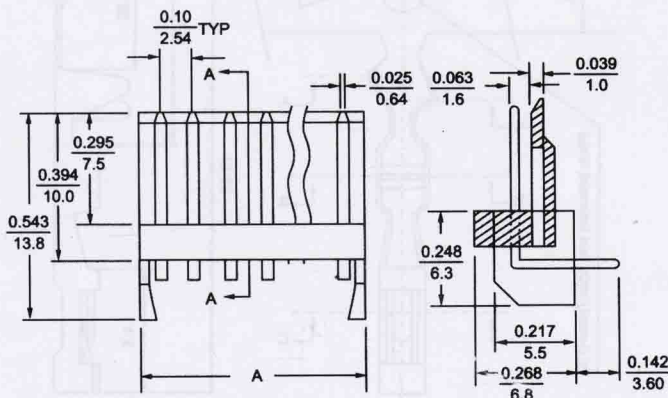
0.100" (2.54 mm) Pitch Crimp Connectors

1116 Series

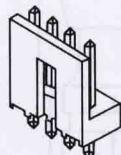
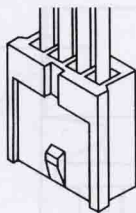
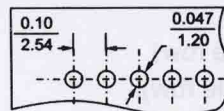
WAFER(180°)



WAFER(90°)



P.C. BOARD LAYOUT



POLES	PART NO.		Dimension in.(mm)
	TOP ENTRY TYPE	SIDE ENTRY TYPE	DIM "A "
2	1116S-2P	1116R-2P	0.20(5.08)
3	1116S-3P	1116R-3P	0.30(7.62)
4	1116S-4P	1116R-4P	0.40(10.16)
5	1116S-5P	1116R-5P	0.50(12.70)
6	1116S-6P	1116R-6P	0.60(15.24)
7	1116S-7P	1116R-7P	0.70(17.78)
8	1116S-8P	1116R-8P	0.80(20.32)
9	1116S-9P	1116R-9P	0.90(22.86)
10	1116S-10P	1116R-10P	1.00(25.40)
11	1116S-11P	1116R-11P	1.10(27.94)
12	1116S-12P	1116R-12P	1.20(30.48)