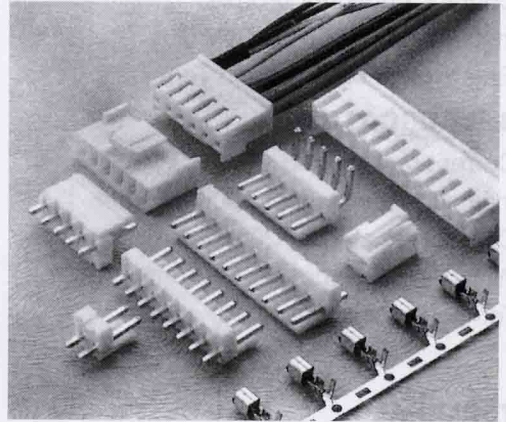


0.156" (3.96 mm) Pitch Disconnectable Connectors for Medium-Currency Application

1121 Series

SPECIFICATION

Poles: 2-14
 Voltage rating: AC, DC 250V
 Current rating: AC, DC, 7A
 Withstand voltage: 1500V AC/min.
 Insulation resistance: 1000M Ω /min.
 Temperature range: -25°C ~ +85°C
 Applicable PC board thickness: 0.063" (1.6mm)
 Contact resistance: Initial value/10m Ω max.
 After environmental testing/20m Ω max.



TERMINAL

Part No: 1121T
 Applicable wires: AWG#18-22
 Material: Brass
 Finish: Tin/plated
 Hardness: H
 Thickness: 0.25mm

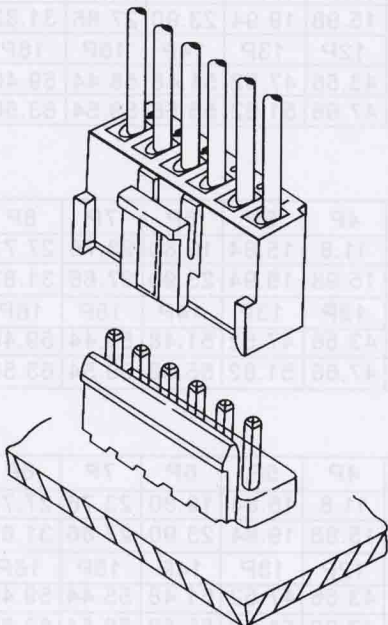
HOUSING

Part No: 1121H
 Poles: 2-14
 Material: Nylon 66, UL 94V-0

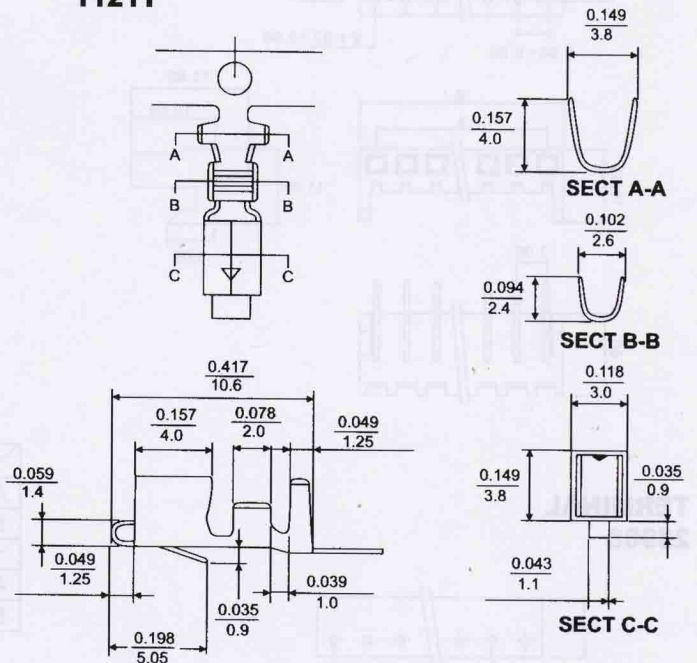
WAFER

Part No: 1121S(180°)
 1121R(90°)
 Poles: 2-14
 Material: Post: Brass, Tin/plated
 Base: PBT or Nylon 66, UL 94V-0

Dimension: $\frac{\text{Inch}}{\text{mm}}$



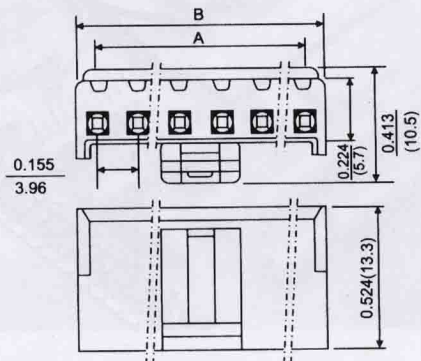
TERMINAL 1121T



0.156" (3.96 mm) Pitch Disconnectable Connectors for Medium-Currency Application

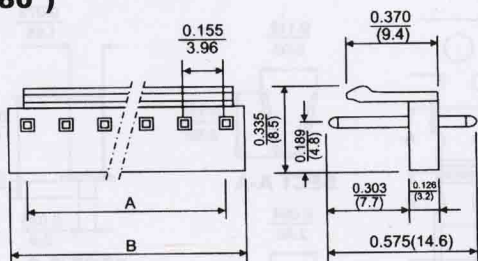
1121 Series

HOUSING 1121H



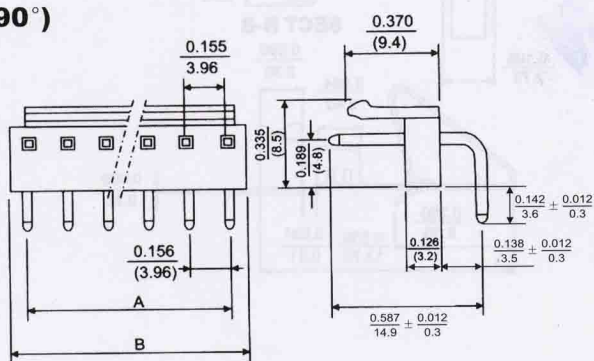
POLES	PART NO.	Dimension in.(mm)	
		A	B
2	1121H-2P	0.156(3.96)	0.309(7.86)
3	1121H-3P	0.312(7.92)	0.465(11.82)
4	1121H-4P	0.468(11.88)	0.621(15.78)
5	1121H-5P	0.624(15.84)	0.777(19.74)
6	1121H-6P	0.780(19.80)	0.933(23.70)
7	1121H-7P	0.935(23.76)	1.089(27.66)
8	1121H-8P	1.091(27.72)	1.245(31.62)
9	1121H-9P	1.247(31.68)	1.401(35.58)
10	1121H-10P	1.403(35.64)	1.557(39.54)
11	1121H-11P	1.559(39.60)	1.712(43.50)
12	1121H-12P	1.714(43.56)	1.868(47.46)
13	1121H-13P	1.870(47.52)	2.024(51.42)
14	1121H-14P	2.026(51.48)	2.180(55.38)

BASE POST ASSEMBLY 1121S(180°)



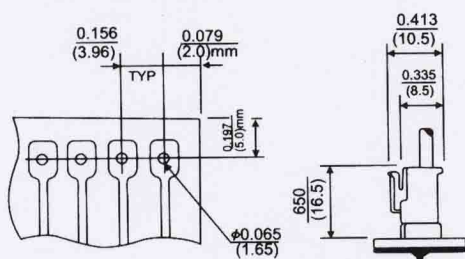
POLES	PART NO.		Dimension in.(mm)	
	Top entry type	Side entry type	A	B
2	1121S-2P	1121R-2P	0.156(3.96)	0.309(7.86)
3	1121S-3P	1121R-3P	0.312(7.92)	0.465(11.82)
4	1121S-4P	1121R-4P	0.468(11.88)	0.621(15.78)
5	1121S-5P	1121R-5P	0.624(15.84)	0.777(19.74)
6	1121S-6P	1121R-6P	0.780(19.80)	0.933(23.70)
7	1121S-7P	1121R-7P	0.935(23.76)	1.089(27.66)
8	1121S-8P	1121R-8P	1.091(27.72)	1.245(31.62)
9	1121S-9P	1121R-9P	1.247(31.68)	1.401(35.58)
10	1121S-10P	1121R-10P	1.403(35.64)	1.557(39.54)
11	1121S-11P	1121R-11P	1.559(39.60)	1.712(43.50)
12	1121S-12P	1121R-12P	1.714(43.56)	1.868(47.46)
13	1121S-13P	1121R-13P	1.870(47.52)	2.024(51.42)
14	1121S-14P	1121R-14P	2.026(51.48)	2.180(55.38)

1121R(90°)



PRINTED CIRCUIT BOARD LAYOUT AND ASSEMBLY LAYOUT

Top entry type



Side entry type

